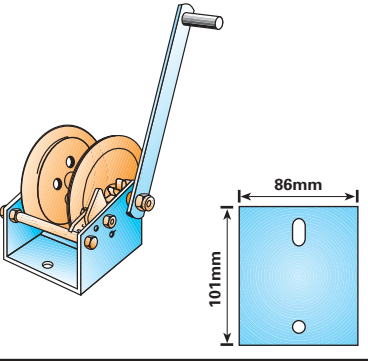
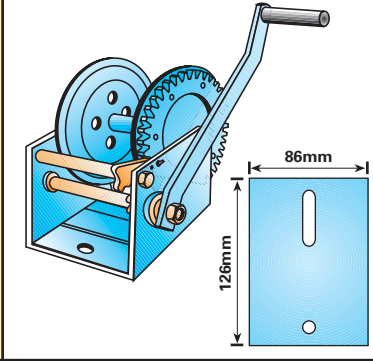
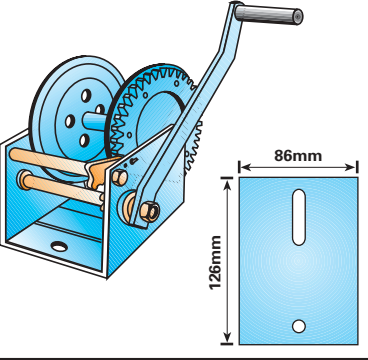
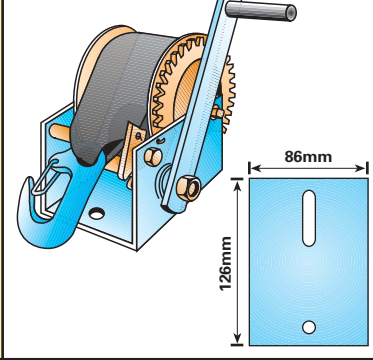
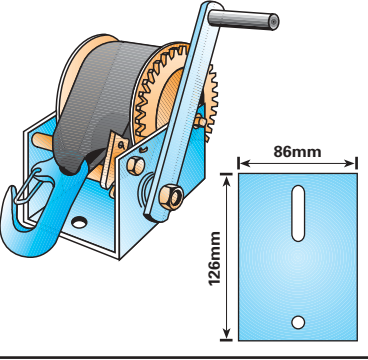
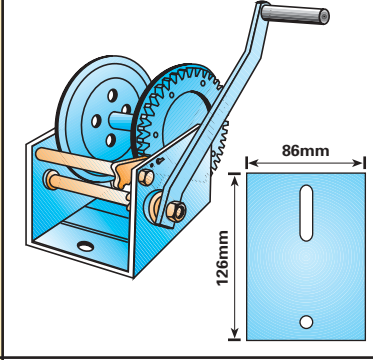
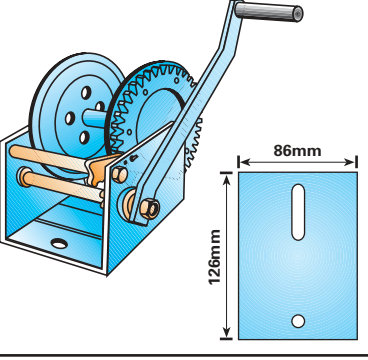
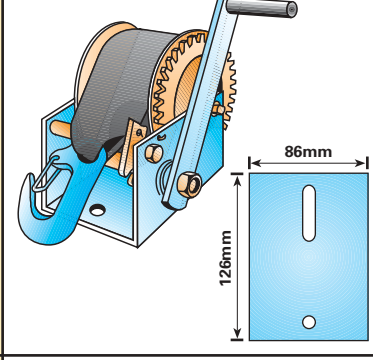
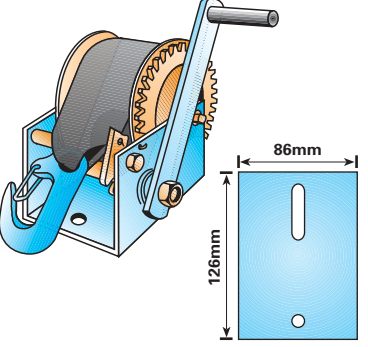



TRAILER AND GENERAL PURPOSE WINCH

Code No.

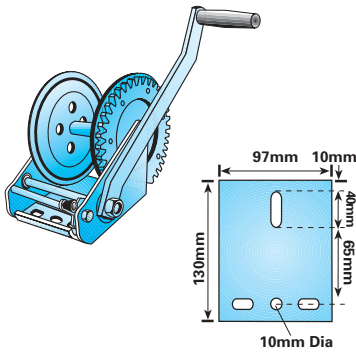
Bright Zinc Plated.

	<p>Code No.</p> <p>180kg Winch One way ratchet Mechanical advantage 15:1 Gear ratio 1:1 (Drum capacity 10M x 8mm, 6M x 10mm dia)</p> <p>MP83</p>		<p>540kg Winch Two way ratchet Mechanical advantage 48:1 Gear ratio 3:1 (Drum capacity 10M x 8mm, 6M x 10mm dia)</p> <p>MP85</p>
	<p>360kg Winch Two way ratchet Mechanical advantage 35:1 Gear ratio 3:1 (Drum capacity 10M x 8mm, 6M x 10mm dia)</p> <p>MP283</p>		<p>540kg Winch fitted with 7M polyester strap & forged hook</p> <p>MP135</p>
	<p>360kg Winch fitted with 7M polyester strap & forged hook</p> <p>MP133</p>		<p>630kg Winch Two way ratchet Mechanical advantage 50:1 Gear ratio 3:1 (Drum capacity 10M x 8mm, 6M x 10mm dia)</p> <p>MP284</p>
	<p>450kg Winch Two way ratchet Mechanical advantage 45:1 Gear ratio 3:1 (Drum capacity 10M x 8mm, 6M x 10mm dia)</p> <p>MP84</p>		<p>630kg Winch fitted with 7M polyester strap & forged hook</p> <p>MP136</p>
	<p>450kg Winch fitted with 7M polyester strap & forged hook</p> <p>MP134</p>		<p>7M Polyester winch strap with forged hook 1500kg breaking strain</p> <p>MP109</p> <p>Galvanised winch cable with hook. 7M x 4mm Dia breaking strain 1000kg</p> <p>MP108</p>

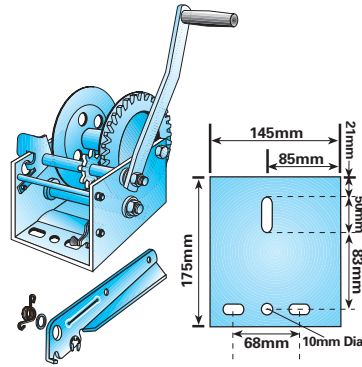
TRAILER AND GENERAL PURPOSE WINCH

Code No.

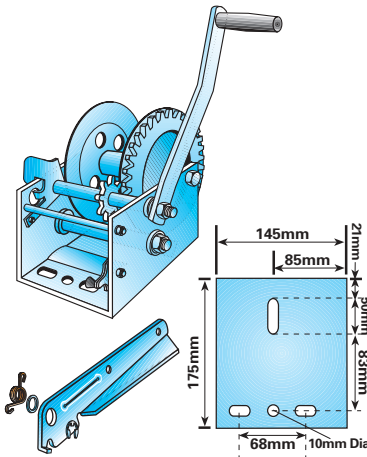
Bright Zinc Plated.



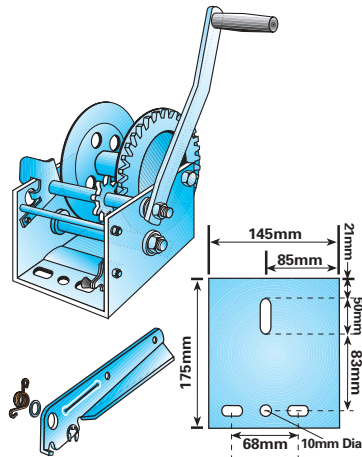
Code No.
800kg Winch
 Two way ratchet
 Mechanical
 advantage 62:1
 Gear ratio 5.1:1
 (Drum storage
 6M x 11mm rope or
 55mm strap)
MP140



1200kg Winch
 Two way ratchet
 Mechanical
 advantage 169:1, Two
 speed gear ratio 5.1:1
 & 12.2:1 (Drum storage
 7M x 11mm rope or
 75mm strap)
MP142
 Brake kit for heavy duty
 winches MP141/142/143
MP144



900kg Winch
 Two way ratchet
 Mechanical
 advantage 136:1, Two
 speed gear ratio 4.1:1
 & 9.8:1 (Drum storage
 7M x 11mm rope or
 70mm strap)
MP141
 Brake kit for
 heavy duty winches
 MP141/142/143
MP144



1450kg Winch
 Two way ratchet
 Mechanical
 advantage 124:1, Two
 speed gear ratio 5.1:1
 & 12.2:1 (Drum storage
 50M x 5mm
 steel cable only)
MP143
 Brake kit for
 heavy duty winches
 MP141/142/143
MP144

CE Approved Trailer Winches

- With safety ratchets
- Fully zinc plated
- Precision made solid gear design

Model 850



CE Ratings
 Breaking cap. 750kg
 Working cap. 250kg

**Gear ratio 3:1
 winch only
 MP7970**

**Gear ratio 3:1
 with 4.5m x 50mm
 polyester strap & hook
 MP7971**

Model 2000 dual drive



CE Ratings
 Breaking cap. 1500kg
 Working cap. 500kg

**Gear ratio 4:1
 winch only
 MP7974**

**Gear ratio 4:1
 with 6m x 50mm
 polyester strap & hook
 MP7975**

Model 1200



CE Ratings
 Breaking cap. 960kg
 Working cap. 320kg

**Gear ratio 4:1
 winch only
 MP7972**

**Gear ratio 4:1
 with 6m x 50mm
 polyester strap & hook
 MP7973**

Model 2500 two speed



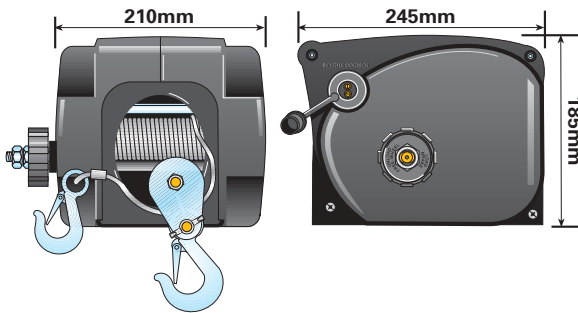
CE Ratings
 Breaking cap. 1050kg
 Working cap. 350kg

**Gear ratio
 5:1
 12:1
 Winch only
 with handbrake lever
 MP7976**

TRAILER AND GENERAL PURPOSE WINCH

Code No.

Electric Winches.



Electric Winch "CE" Approved

- A highly portable powerful winch ideal for pulling or manoeuvring trailers, caravans, boats, automobiles or any pulling job around the home or farm
- Capable of handling rolling loads of up to 2,500kg or with a double line pull 5000kg
- With 9m of 4.6mm steel cable or 13m for extra long use complete with forged hooks and double line pulley

- Remote control comes with 3m of cable
- Free wheel cable release and emergency manual crank
- Easy to use slot on mounting plate which also serves as a tow ball adaptor plate
- Power consumption 12V version 20-30amps, 24V 10-15amps
- Complete and ready to use with connection wire, relay and full instructions

**12v Winch with
9 metres cable
MP799**

**12v Winch with
13 metres cable
MP799/1**

Electric Winches For Vehicle Mounting (CE Approved).



Superwinch EPI6.0 Heavy Duty 6000lb 12V Recovery Winch

Power in / power out - 30m 8mm diameter wire rope with latched hook - rubber handheld remote switch with 4.5m cable - roller fairlead - freespooling clutch - automatic load holding brake - pulley block for increased pulling capacity - 3.6HP motor - 2722 Kg rated single line pull

MP150



Superwinch S4000 High Performance 4000lb 12V Winch

Power in / power out - 18.2m 4.8mm diameter wire rope with latched hook - rubber handheld remote switch with 9m cable - roller fairlead - freespooling clutch - mechanical & dynamic brake - weather resistant housing - 1.3HP motor - 1820 Kg rated single line pull

MP151

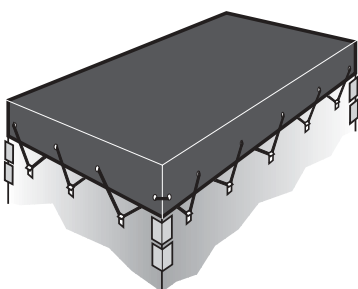


Superwinch GP2300 General Purpose 2300lb 12V Utility Winch

Power in / power out - 18.2m 4mm diameter wire rope with latched hook - heavy duty handheld remote switch with 4.5m cable - roller fairlead - pulley block for increased pulling capacity - freespooling clutch - mechanical & dynamic brake - 0.7HP motor - 1040 Kg rated single line pull

MP152

Trailer Covers.



Leather cloth trailer cover with elastic cord

See page 57 for further
trailer covers

4ft x 3ft

5ft x 3ft

6ft x 4ft

MP927

MP928

MP929