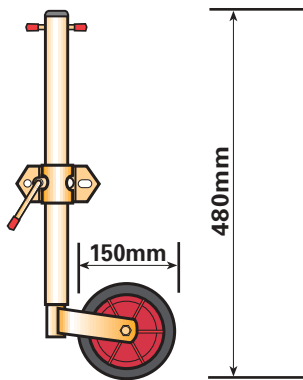


TRAILER EQUIPMENT

Jockey Wheels & Clamps Fully Zinc Plated.

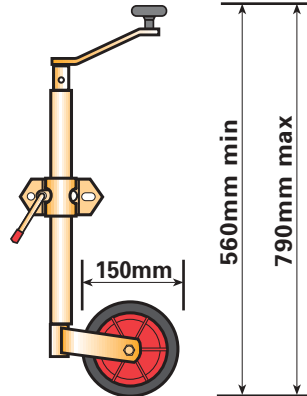
**Code No.
with
clamp**



**Code No.
with
clamp**

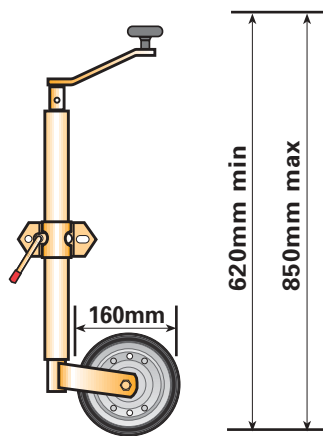
Deluxe sliding jockey wheel with 34mm Dia tube with red 150mm plastic wheel and solid rubber tyre. Max. nose weight guide 75Kgs

MP431



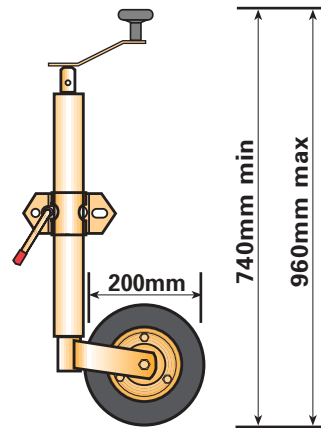
Deluxe telescopic jockey wheel with 34mm Dia tube with red 150mm plastic wheel and solid rubber tyre. Max. nose weight guide 75Kgs

MP432



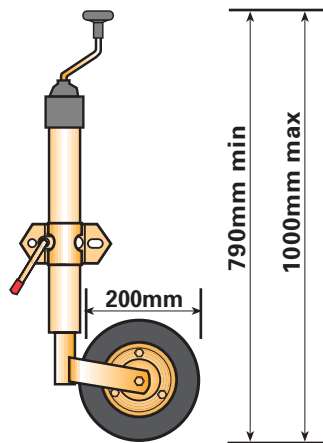
Deluxe telescopic jockey wheel medium duty with 34mm Dia tube with 160mm Dia steel wheel and solid rubber tyre. Max. nose weight guide 75Kgs

MP433



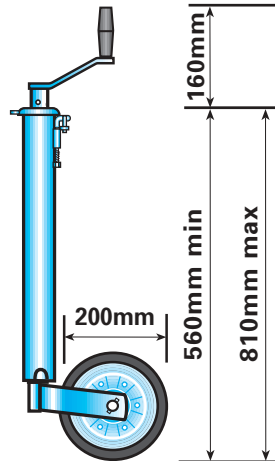
Deluxe heavy duty telescopic jockey wheel with 42mm Dia tube with 200mm Dia steel wheel and solid rubber tyre. Max. nose weight guide 150Kgs

MP435



Deluxe heavy duty telescopic jockey wheel with 48mm Dia tube with 200mm steel wheel and solid rubber tyre. Max. nose weight guide 150Kgs

MP810

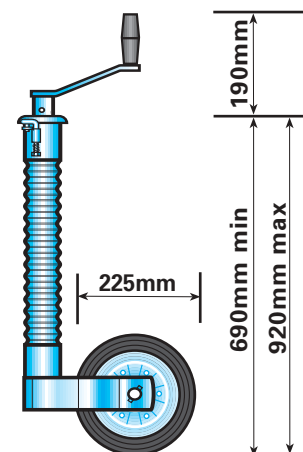


Deluxe heavy duty telescopic jockey wheel with 42mm dia tube and 200mm dia steel wheel. Max nose weight guide 500kgs

**Without clamp
MP9743**

**Recommended clamp
MP493**

**Spare wheel
MP97435**

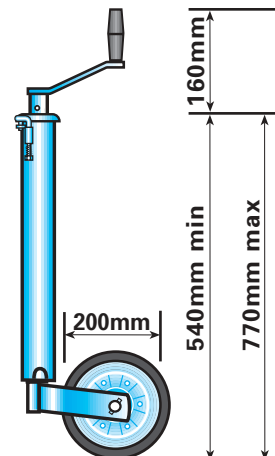


Deluxe heavy duty telescopic jockey wheel with 48mm dia ribbed tube with 225mm steel wheel and rubber tyre. Max. nose weight guide 500Kgs

**Without clamp
MP9745**

**Recommended clamp
MP97455**

**Spare wheel
MP97452**



Deluxe heavy duty telescopic jockey wheel with 48mm dia tube with 200mm steel wheel and rubber tyre. Max. nose weight guide 500Kgs

**Without clamp
MP9741**

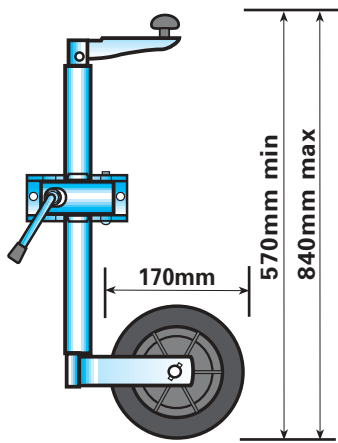
**Recommended clamp
MP8125**

**Spare wheel
MP97435**

TRAILER EQUIPMENT

Jockey Wheels & Clamps Fully Zinc Plated.

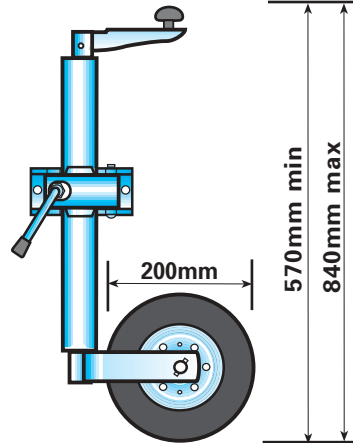
Code No.
with
clamp



**Code No.
with
clamp**

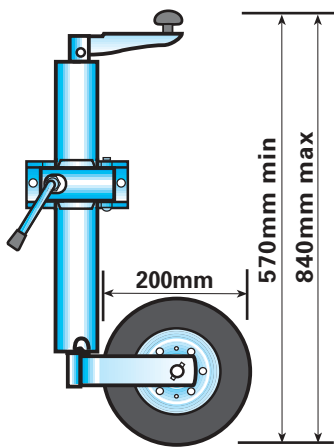
*Lightweight
telescopic jockey
wheel with 34mm
Dia tube with
170mm plastic
wheel and solid
rubber tyre. Max.
nose weight guide
75Kgs*

MP225



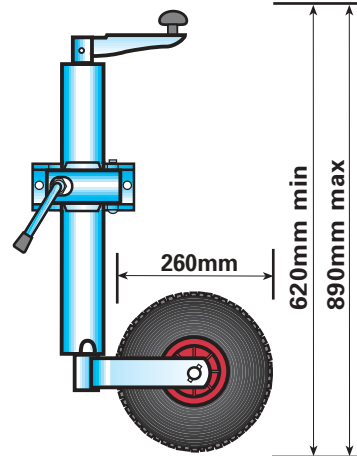
*Heavy duty
telescopic jockey
wheel with 42mm
tube with 200mm
Dia steel wheel with
solid rubber tyre.
Max. nose weight
guide 150Kgs*

MP227



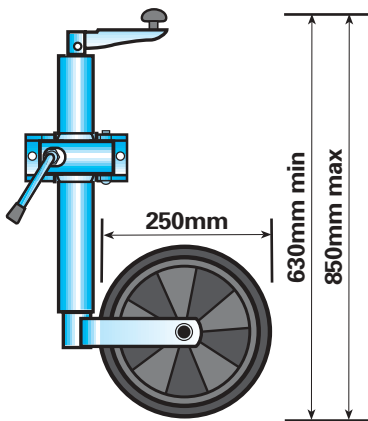
*Heavy duty
telescopic jockey
wheel with 48mm
Dia tube with
200mm steel wheel
with solid rubber
tyre. Max. nose
weight guide
150Kgs*

MP436



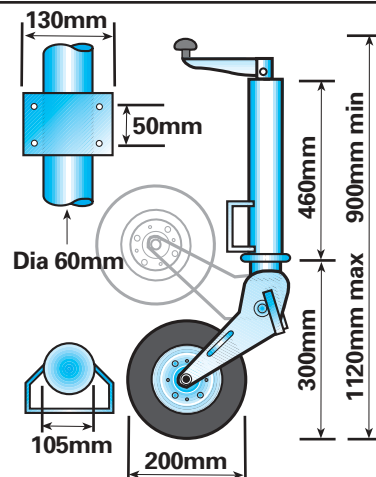
*Heavy duty telescopic
jockey wheel with
48mm Dia tube with
260mm x 85mm
wheel and pneumatic
tyre. Max. nose
weight guide 150Kgs*

MP437



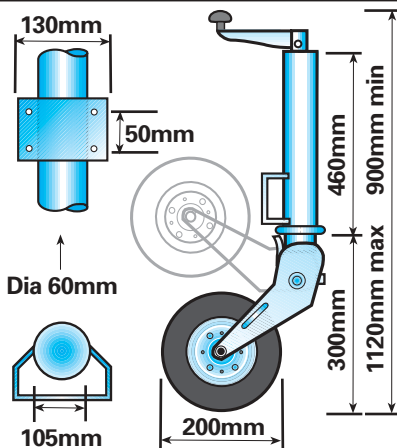
*Heavy duty
telescopic jockey
wheel 48mm
Dia tube
with 250mm plastic
wheel and solid
rubber tyre. Max.
nose weight guide
150Kgs*

MP975



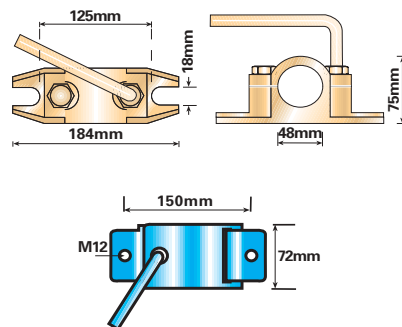
*Heavy duty telescopic
folding jockey wheel
60mm Dia tube. Max.
nose weight guide
400Kgs*

MP976



*Heavy duty
telescopic automatic
folding jockey wheel
60mm Dia tube.
Max. nose weight
guide 400Kgs*

MP977



*Heavy duty 48mm
ribbed clamp.
Suitable for MP9745,
MP9714 & MP9716*

MP97455

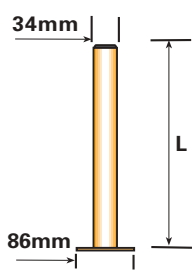
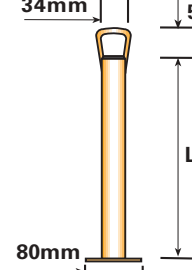
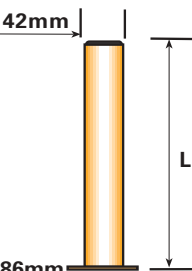
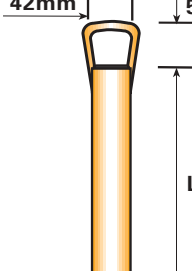
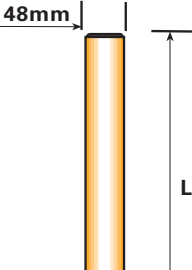
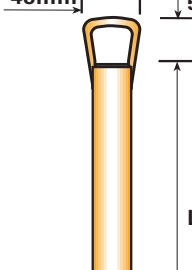
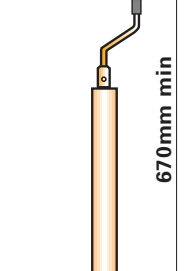
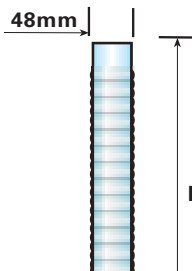
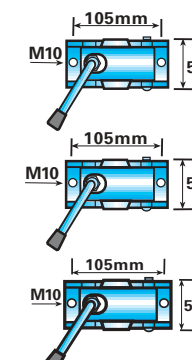
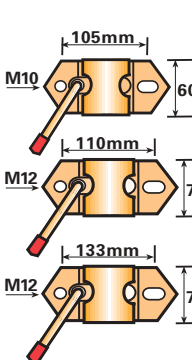
*48mm Heavy Duty
clamp suitable
for MP9741*

MP8125

TRAILER EQUIPMENT

Prop Stands. (supplied without clamps)

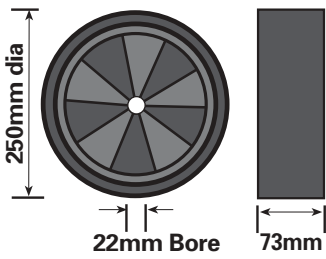
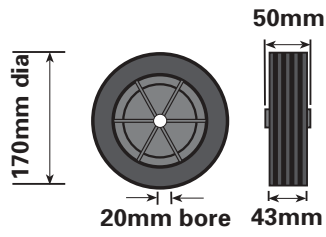
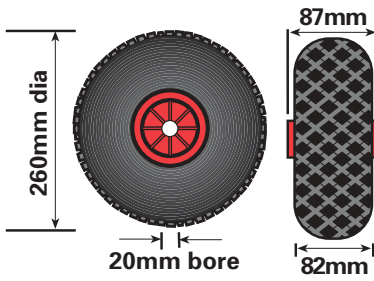
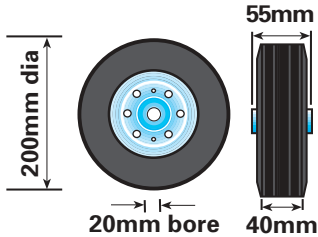
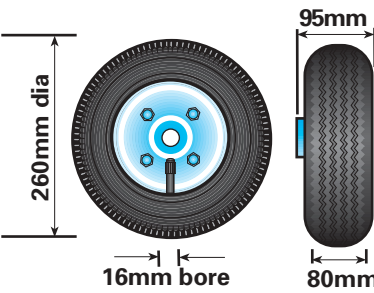
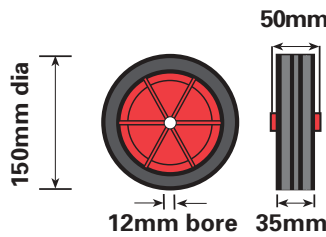
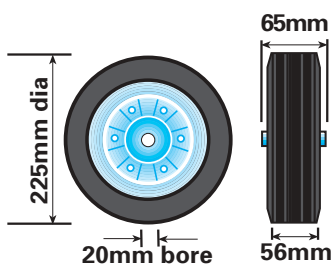
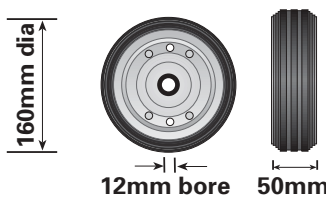
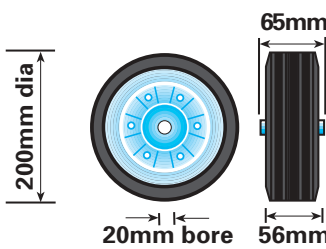
Code No.

	<p>Code No. 34mm Dia prop stand 450mm long MP220 34mm Dia prop stand 600mm long MP221</p>		<p>34mm Dia prop stand 450mm long + handle MP22001 34mm Dia prop stand 600mm long + handle MP22101</p>
	<p>42mm Dia prop stand 450mm long MP492 42mm Dia prop stand 600mm long MP491</p>		<p>42mm Dia prop stand 450mm long + handle MP49201 42mm Dia prop stand 600mm long + handle MP49101</p>
	<p>48mm Dia prop stand 450mm long MP8114 48mm Dia prop stand 600mm long MP8115</p>		<p>48mm Dia prop stand 700mm long + handle MP8118</p>
	<p>Deluxe telescopic prop stand with 42mm Dia tube MP438</p>		<p>Deluxe heavy duty prop stand with 48mm dia ribbed tube 400mm high MP9714 600mm high MP9716 Recommended clamp MP97455</p>
	<p>34mm split clamp MP222 42mm split clamp MP427 48mm split clamp MP424</p>		<p>34mm deluxe clamp MP223 34mm deluxe heavy duty clamp MP423 42mm deluxe clamp MP224 42mm deluxe heavy duty clamp MP493 48mm deluxe clamp MP812 48mm deluxe heavy duty clamp MP8121</p>

TRAILER EQUIPMENT

Spare Wheels for Jockey Wheels.

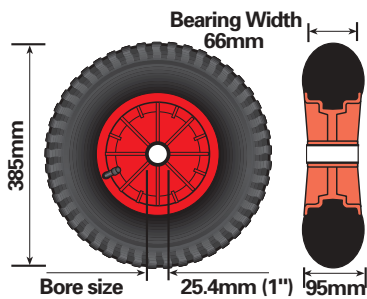
Code No.

 <p>250mm dia 22mm Bore 73mm</p>	<p>Code No.</p> <p><i>Spare heavy duty wheel to fit MP975 jockey wheel</i></p> <p>MP499</p>	 <p>170mm dia 20mm bore 43mm 50mm</p>	<p><i>170mm black plastic wheel with solid rubber tyre suitable for MP225</i></p> <p>MP226</p>	
 <p>260mm dia 20mm bore 87mm 82mm</p>	<p><i>260mm plastic wheel with pneumatic tyre suitable for MP437</i></p> <p>MP229</p>	 <p>200mm dia 20mm bore 40mm 55mm</p>	<p><i>200mm steel wheel with solid rubber tyre suitable for MP227/436</i></p> <p>MP228</p>	
 <p>260mm dia 16mm bore 95mm 80mm</p>	<p><i>260mm steel wheel with pneumatic tyre and offset bearing suitable for sack trucks of max capacity 130kgs</i></p> <p>MP426</p>	 <p>150mm dia 12mm bore 35mm 50mm</p>	<p><i>150mm red plastic wheel with solid rubber tyre suitable for MP431 / 432</i></p> <p>MP430</p>	
 <p>225mm dia 20mm bore 65mm 56mm</p>	<p><i>225mm steel wheel with solid rubber tyre suitable for MP9745</i></p> <p>MP97452</p>	 <p>160mm dia 12mm bore 50mm</p>	<p><i>160mm steel wheel with solid rubber tyre suitable for MP433</i></p> <p>MP429</p>	
		 <p>200mm dia 20mm bore 65mm 56mm</p>	<p><i>200mm steel wheel with solid rubber tyre suitable for MP9741 / MP9743</i></p> <p>MP97435</p>	

TRAILER EQUIPMENT

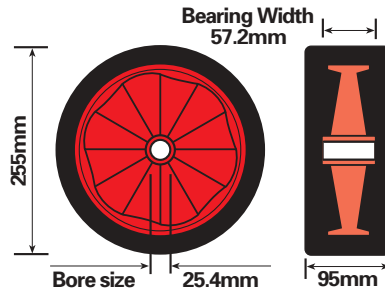
Code No.

Launch Trolley Wheels.



Code No.
15" (385mm) launch trolley wheel with pneumatic tyre and polypropylene centre. 1" (25.4mm) plain bore, tyre width 3 3/4" (95mm)

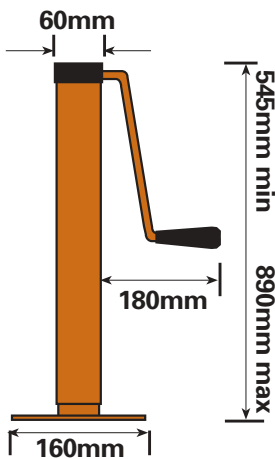
MP417



10" (255mm) sand hopper launch trolley wheel with solid rubber tyre and polypropylene centre. 1" (25.4mm) plain bore, tyre width 3 3/4" (95mm)

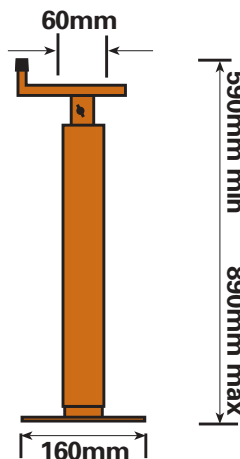
MP416

Heavy Duty Prop Stands.



Heavy duty telescopic trailer jack

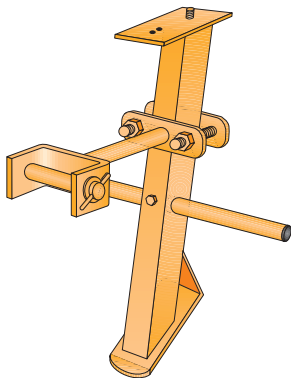
MP978



Heavy duty telescopic trailer jack

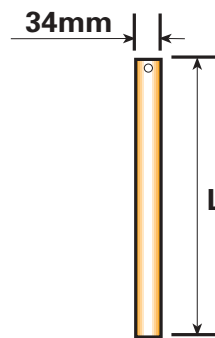
MP979

Winch Post & Stems.



Zinc plated winch post suitable for most small boat trailers. Easily fitted and suitable for most small hand winches also incorporates a mounting bracket for fitting a bow snubber (MP170, page 48)

MP796



Boat bracket stem post 34mm Dia

MP477 34mm x 300mm

MP473 34mm x 440mm

Jockey Wheel & Prop Stand Clamp Accessories



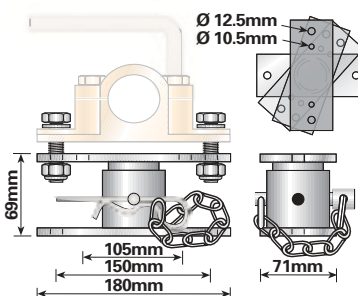
Allows jockey wheel clamps to be fitted without drilling the drawbar

Easy-fit Jockey Wheel Clamp Fixing Kit Display Packed

50mm and 60mm drawbars MP191

80 x 40mm drawbars MP192

Fits MP8125 & MP97455 (also fits MP222, 423, 424 & 427 but with lower weight capacity)



Heavy duty rotating clamp bracket. Allows trailer prop stands and jockey wheels to be secured parallel to the ground when not in use. Max load capacity 500kgs.

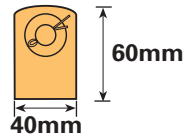
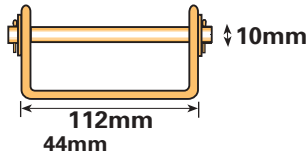
MP8129

Spare pin & chain assembly MP81295

TRAILER EQUIPMENT

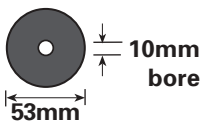
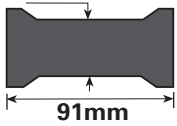
Code No.

Boat Brackets and Moulded Rubber Rollers.



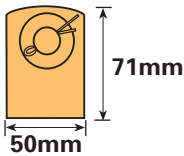
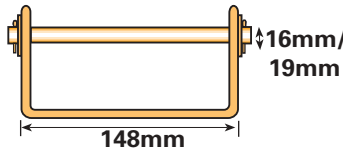
Keel roller bracket (10mm)

MP4705



Keel flat roller suitable for MP4705

MP4635



Keel roller bracket (16mm)

MP470

Keel roller bracket (19mm)

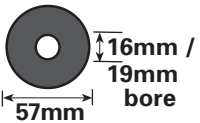
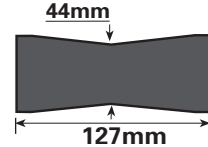
MP4701

Spare spindle for MP470

MP47001

Spare spindle for MP4701

MP47002

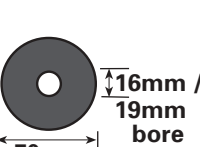
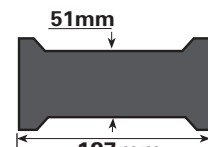


Keel 'V' roller suitable for MP470 (16mm)

MP462

Keel 'V' roller suitable for MP4701 (19mm)

MP4621

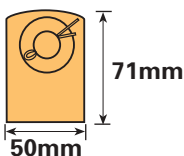
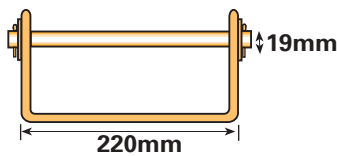


Keel flat roller suitable for MP470 (16mm)

MP463

Keel flat roller suitable for MP4701 (19mm)

MP4631

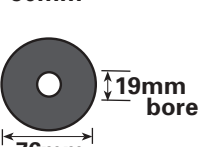
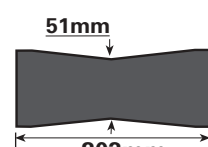


Keel roller bracket (220mm)

MP4703

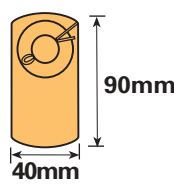
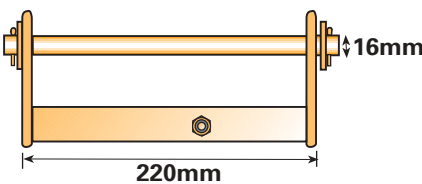
Spare spindle for MP4703

MP47008



Keel 'V' roller suitable for MP4703

MP4622

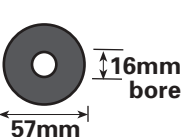
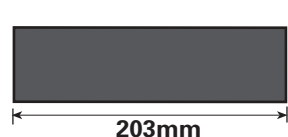


Parallel side roller bracket zinc plated complete with spindle, washers, split pins, nut and bolt Suitable for use with 34mm stem posts MP477 / MP473

MP472

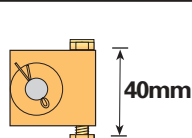
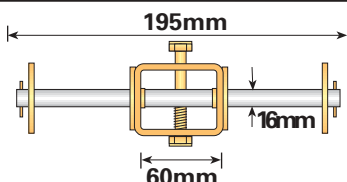
Spare spindle for MP472

MP47201



Parallel side roller suitable for MP472

MP458

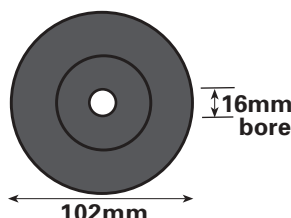
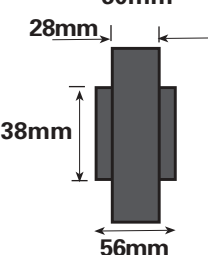


Single side roller bracket zinc plated complete with spindle, washers, split pins, nut and bolt Suitable for use with 34mm stem posts MP477 / MP473

MP474

Spare spindle for MP474

MP47401



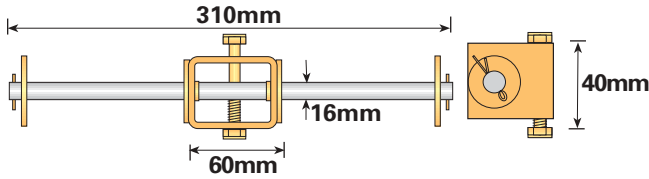
Single side roller suitable for MP474 (2 required per bracket)

MP459

TRAILER EQUIPMENT

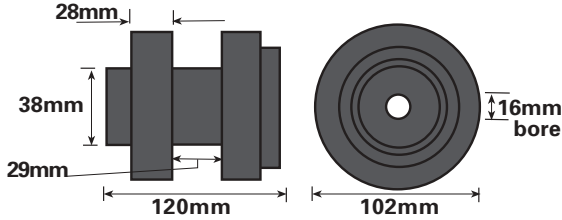
Code No.

Boat Brackets and Moulded Rubber Rollers.



Double side roller bracket zinc plated complete with spindle, washers, split pins nut and bolt
Suitable for use with 34mm stem posts MP477 / MP473

MP476

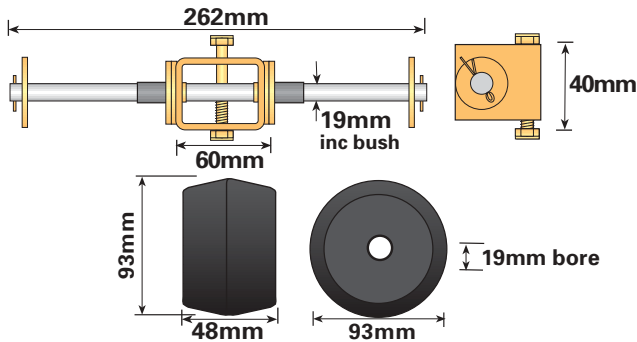


Spare spindle for MP476

MP47601

Dumbell side roller suitable for MP476 (2 required per bracket)

MP457



Double castor side roller bracket zinc plated complete with spindle, washers, split pins nut and bolt & bushes for MP4571
Suitable for use with 34mm stem posts MP477 / MP473

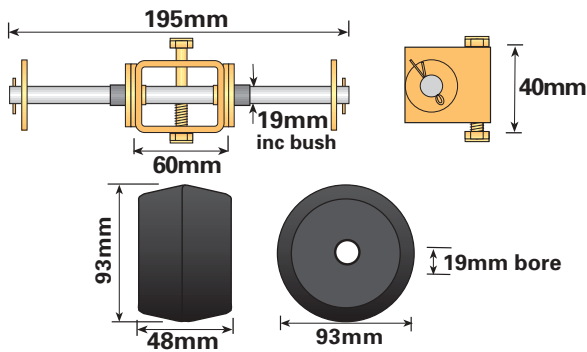
MP4762

Spare spindle for MP4762

MP47602

Castor side roller suitable for MP4762 (4 required per bracket)

MP4571



Single roller castor bracket zinc plated complete with spindle, washers, split pins nut and bolt & bushes for MP4571
Suitable for use with 34mm stem posts MP477 / MP473

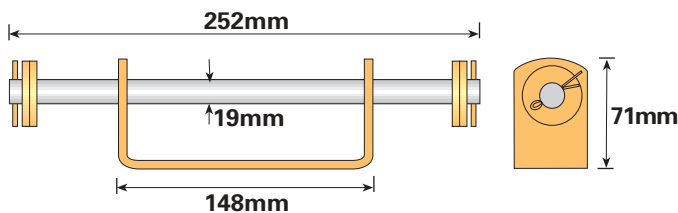
MP4763

Spare spindle for MP4763

MP47603

Castor side roller suitable for MP4763 (2 required per bracket)

MP4571



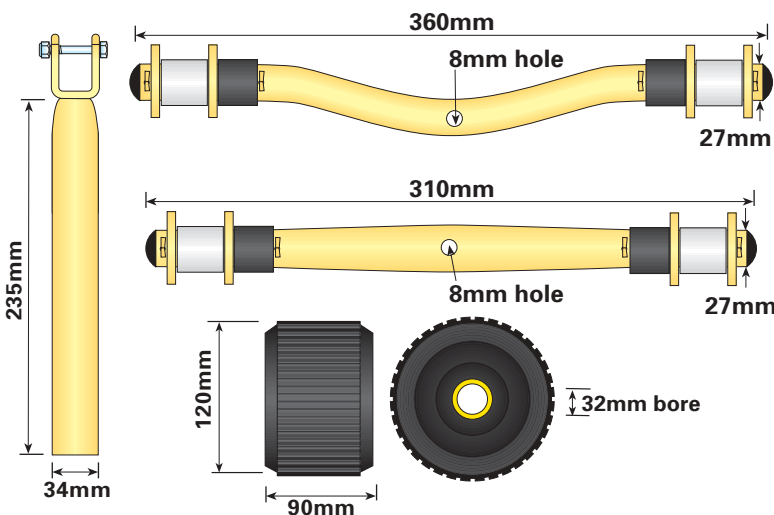
Combination keel 'V' bracket

MP4764

Spare spindle for MP4764

MP47604

Suitable for MP4621 or MP4631 and 2 MP4571



Ribbed roller bracket complete with 2 bushes, washers and split pins

MP456

Straight ribbed roller bracket complete with 2 bushes, washers and split pins

MP4563

Stem 34mm dia for MP456 and MP4563

MP4561

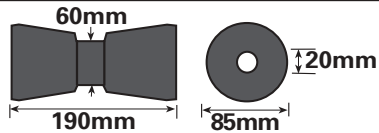
Ribbed roller suitable for MP456 and MP4563 (2 required per bracket)

MP4562

TRAILER EQUIPMENT

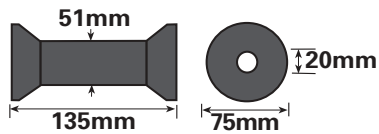
Code No.

Heavy Duty Boat Rollers.



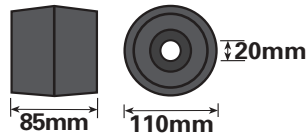
Keel roller 190mm x 85mm dia

MP171



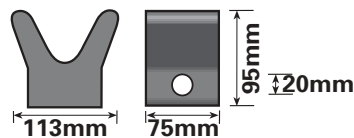
Keel roller 135mm x 75mm dia

MP173



Side roller 85mm x 110mm dia

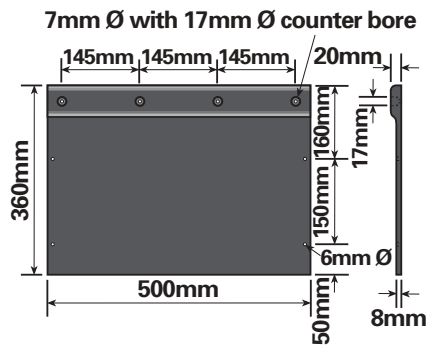
MP174



Bow snubber block
113mm x 75mm x 95mm suitable
for MP796 trailer winch post

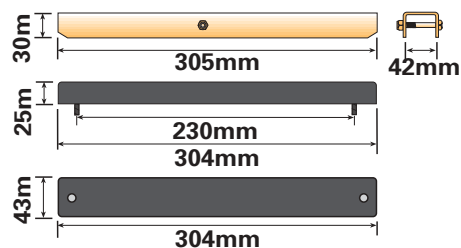
MP170

Boat Trailer Blocks Moulded Rubber.



Rubber buffer block with apron
500x360

MP460

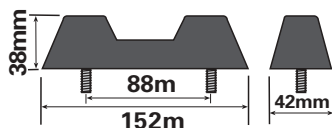


Channel bracket zinc plated
complete with fixing nut & bolt
suitable for use with 34mm stem
posts MP477 / MP473

MP471

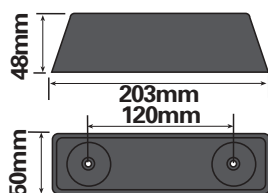
Side buffer suitable for MP471 with
2xM8 fixing studs

MP452



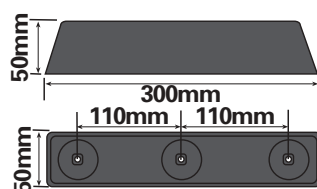
Keel block with 2x moulded
in M10 plated studs

MP450



Buffer block with 2 holes
for M10 bolts

MP453



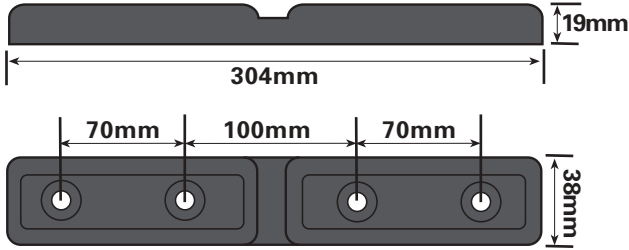
Buffer block with 3 holes
for M10 bolts

MP455

TRAILER EQUIPMENT

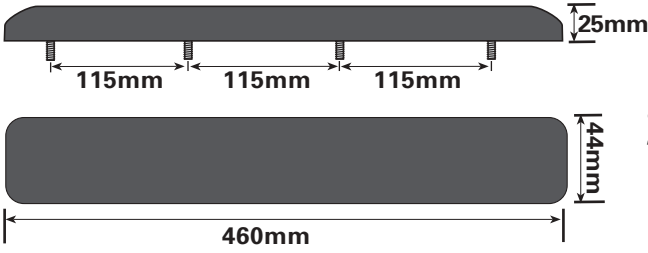
Boat Trailer Blocks Moulded Rubber.

Code No.
Each



Snubber block with 4 holes
for M8 bolts

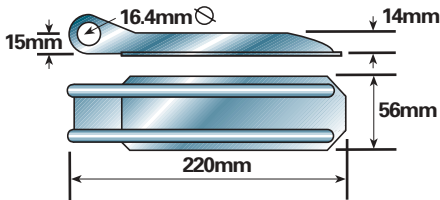
MP451



Side buffer block with
4x moulded in M8 plated studs

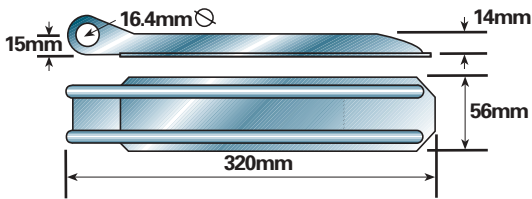
MP454

Trailer Hinges and Hinge Posts.



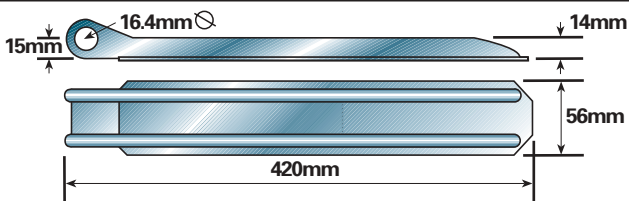
220mm x 56mm

MP8151



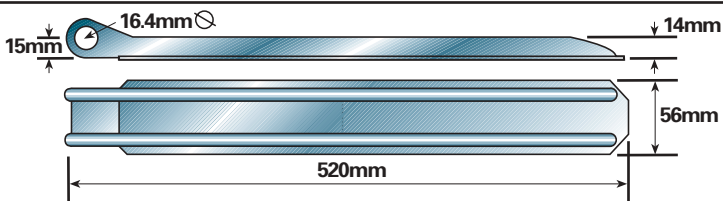
320mm x 56mm

MP8153



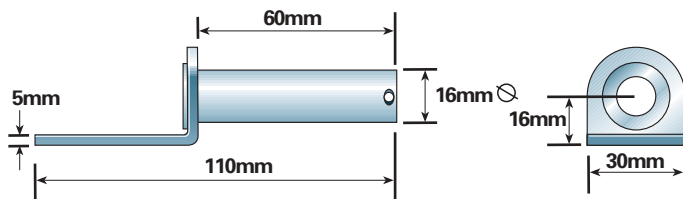
420mm x 56mm

MP8155



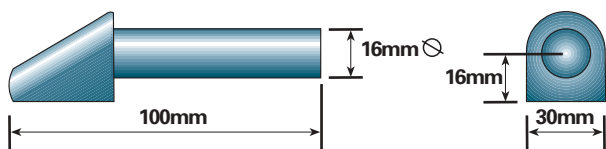
520mm x 56mm

MP8157



Bolt on hinge post

MP8158



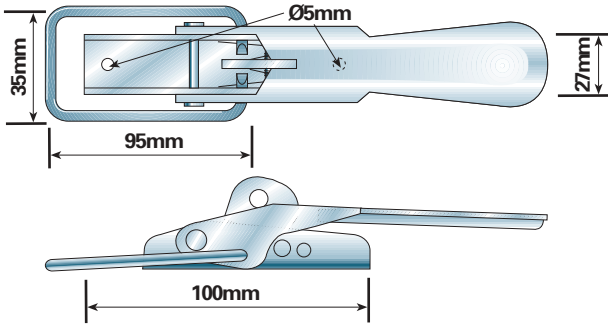
Weld on hinge post

MP8159

TRAILER EQUIPMENT

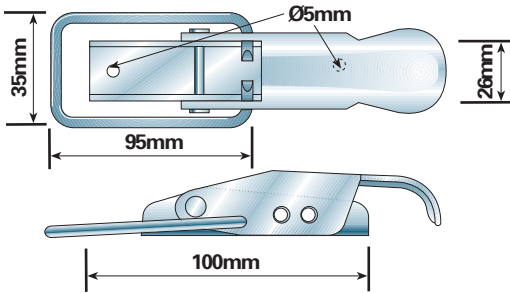
Tailgate Latches.

Code No.
Each



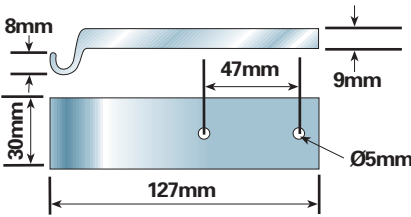
100mm x 27mm latch

MP81301B



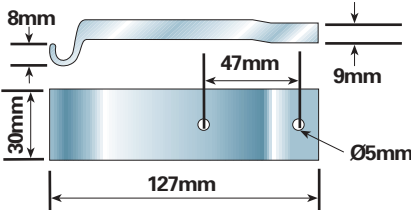
100mm x 26mm latch

MP81302B



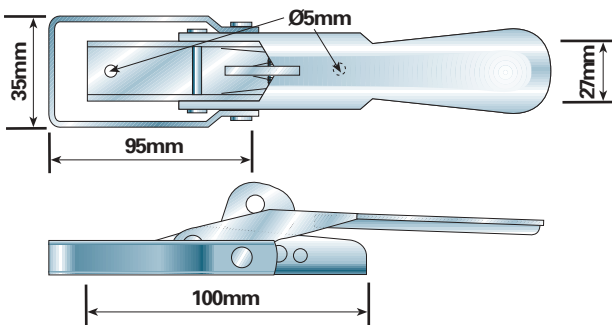
Flat latch plate for
MP81301B / MP81302B

MP81402B



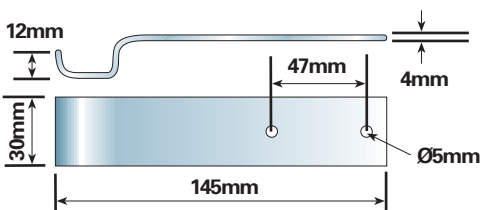
Indented latch plate for
MP81301B / MP81302B

MP81401B



100mm x 27mm
Heavy duty latch

MP81305B



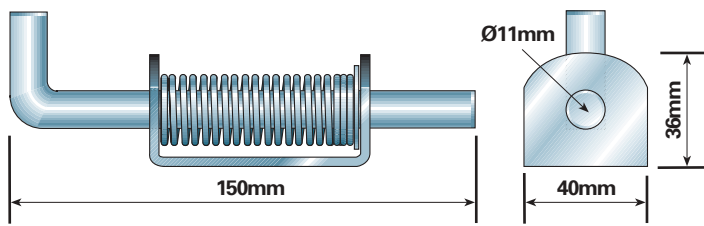
Flat latch plate for
MP81305B

MP81405B

TRAILER EQUIPMENT

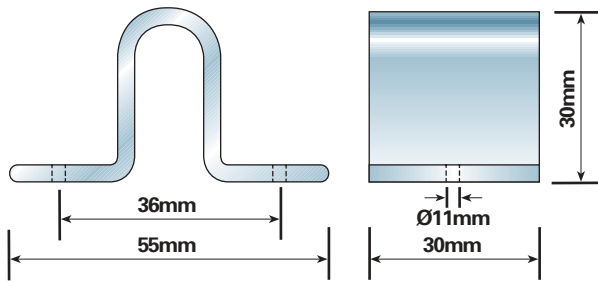
Spring Loaded Tail Gate Latch.

Code No.
Each



Spring latch

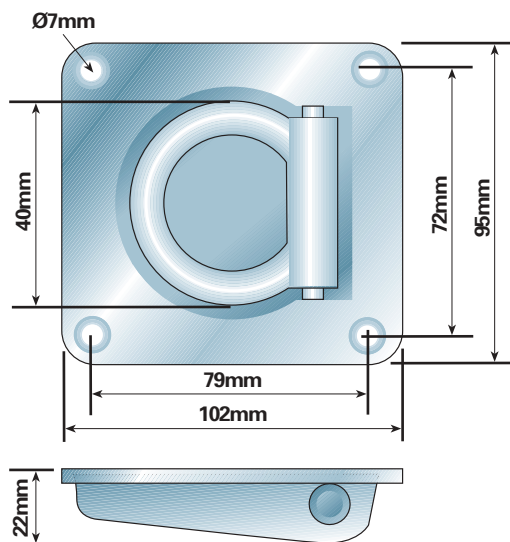
MP81310B



Latch plate for
MP81310B

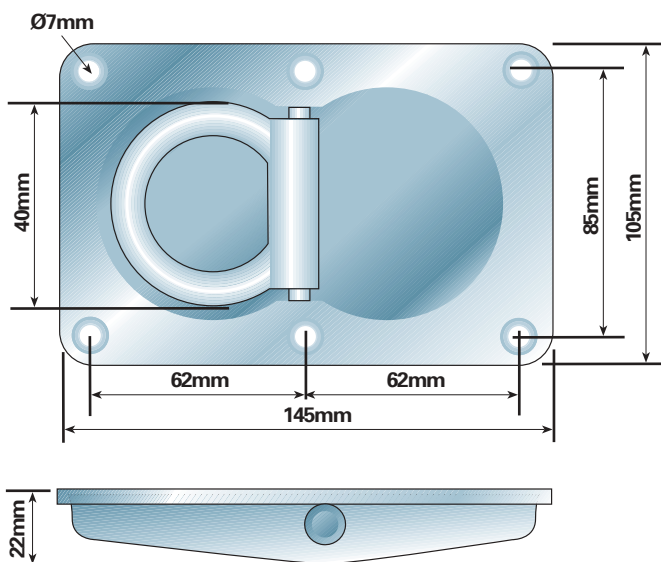
MP81410B

Cargo Lashing Anchors



102mm x 95mm cargo
lashing anchor with
40mm eye

MP81407B



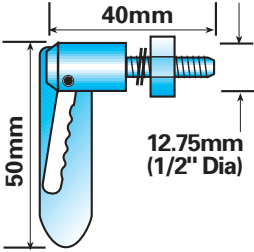
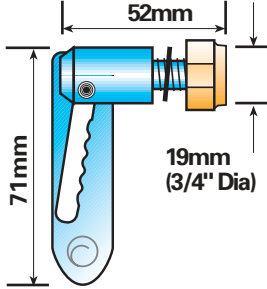
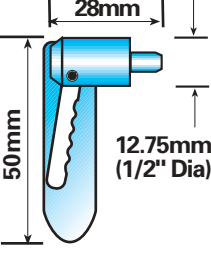
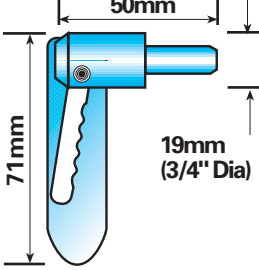
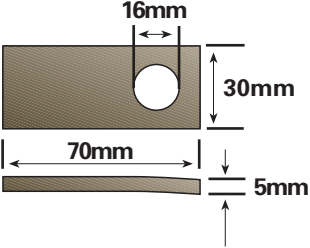
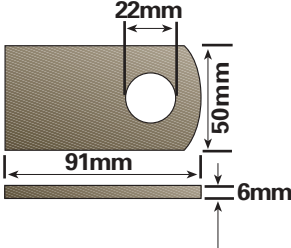
145mm x 105mm cargo
lashing anchor with
40mm eye

MP81408B

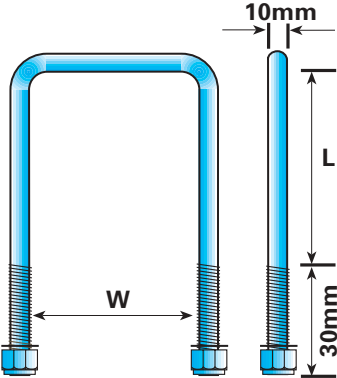
TRAILER EQUIPMENT

Trailer Dropcatch (zinc plated).

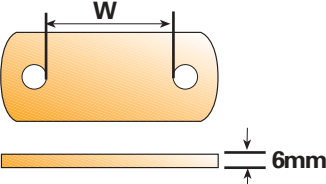
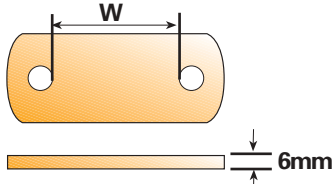
Display Packed Pairs Code No. Bulk Packed Single Code No.

	<p>Display Packed Pairs Code No.</p> <p>MP836</p>	<p>Bulk Packed Single Code No.</p> <p>MP836B</p>		<p>Dropcatch 19mm Dia bolt on complete with self-locking nut and washer</p> <p>MP838</p>	<p>Bulk Packed Single Code No.</p> <p>MP838B</p>
	<p>Dropcatch 12.75mm Dia weld on</p> <p>MP837</p>	<p>Bulk Packed Single Code No.</p> <p>MP837B</p>		<p>Dropcatch 19mm Dia weld on</p> <p>MP839</p>	<p>Bulk Packed Single Code No.</p> <p>MP839B</p>
	<p>Display Packed Single</p> <p>MP841</p>	<p>Bulk Packed Single</p> <p>MP841B</p>		<p>Display Packed Single</p> <p>MP840</p>	<p>Bulk Packed Single</p> <p>MP840B</p>

U Bolts square corners complete with self-locking nuts and washers.

	<p>MILD STEEL Bright Zinc Plated</p>		<p>HIGH TENSILE Bright Zinc Yellow Passivated</p>	
	<p>W(mm)L</p>	<p>MP No.</p>	<p>W(mm)L</p>	<p>MP No.</p>
	40 x 40	910MB	40 x 40	910B
	40 x 60	911MB	40 x 60	911B
	40 x 80	912MB	40 x 80	912B
	50 x 50	913MB	50 x 50	913B
	50 x 76	914MB	50 x 76	914B
	50 x 102	915MB	50 x 102	915B
	60 x 60	916MB	60 x 60	916B
	70 x 76	922MB	70 x 76	922B
	80 x 46	923MB	80 x 46	923B
	80 x 86	924MB	80 x 86	924B

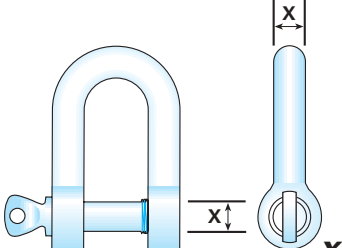
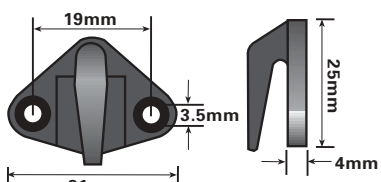
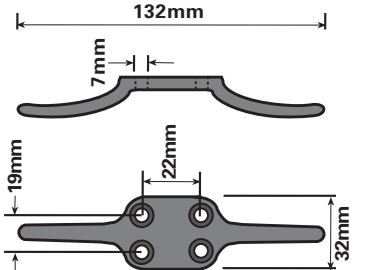
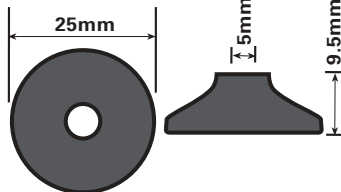
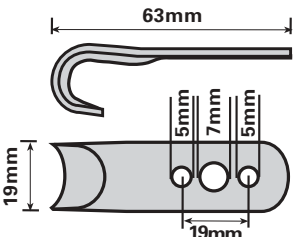
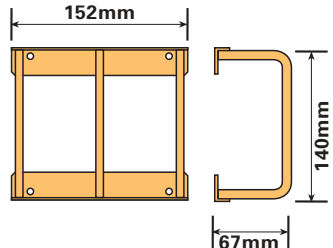
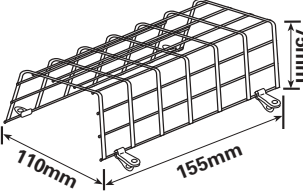
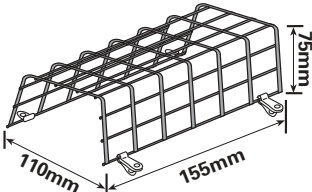
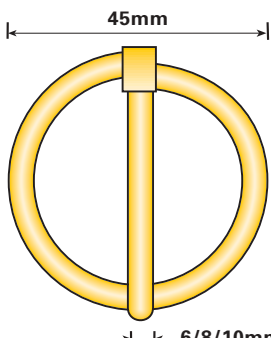
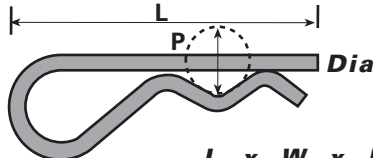
U Bolt Plates.

	<p>W (mm)</p> <p>40</p> <p>50</p>	<p>MP917B</p> <p>MP918B</p>		<p>W (mm)</p> <p>60</p> <p>70</p> <p>80</p>	<p>MP919B</p> <p>MP920B</p> <p>MP921B</p>
---	-----------------------------------	-----------------------------	--	---	---

TRAILER EQUIPMENT

Code No.

Trailer Fittings.

 <p>Forged Steel D-Shackle</p> <p>X 6mm 8mm 10mm</p>	<p>Display Packed (2 pcs)</p> <p>Bulk Packed</p> <p>MP8336 MP8336B MP8338 MP8338B MP8333 MP8333B</p>	 <p>Trailer cover tie down hook black plastic</p>	<p>Display packed (per 10) MP994</p> <p>Bulk packed (single) MP994B</p>
 <p>Forged tie down double cleat hook</p>	<p>Display packed (single) MP997</p> <p>Bulk packed (single) MP997B</p>	 <p>Trailer cover tie down button cleat black plastic</p>	<p>Display packed (per 10) MP995</p> <p>Bulk packed (single) MP995B</p>
 <p>Mild steel tie down hook zinc plated</p>	<p>Display packed (per pair) MP996</p> <p>Bulk packed (single) MP996B</p>	 <p>Deluxe heavy duty lamp guard mild steel zinc plated</p>	<p>Deluxe heavy duty lamp guard mild steel zinc plated</p> <p>MP9981</p>
 <p>Wire lamp guard mild steel powder coated black</p> <p>MP999</p> <p>With fixing clips</p>	<p>Wire lamp guard mild steel powder coated black</p> <p>MP999</p> <p>With fixing clips</p>	 <p>Wire lamp guard mild steel chrome plated</p> <p>MP998</p> <p>With fixing clips</p>	<p>Wire lamp guard mild steel chrome plated</p> <p>MP998</p>
<p>Linchpins</p>  <p>45mm</p> <p>6/8/10mm</p>	<p>Display packed (per pair) 6mm MP420 8mm MP4208 10mm MP421</p> <p>Bulk packed (per 50) 6mm MP420B 8mm MP4208B 10mm MP421B</p>	 <p>R Clips (packed in poly bag)</p> <p>L x W x P</p> <p>2mm Dia "R" clip 42 x 14 x 14 (per 10) 3mm Dia "R" clip 54 x 18 x 18 (per 10) 4mm Dia "R" clip 74 x 22 x 26 (per 10) 5mm Dia "R" clip 106 x 36 x 30 (per 10) 6mm Dia "R" clip 118 x 42 x 32 (per 10) 7mm Dia "R" clip 172 x 54 x 32 (per 5)</p>	<p>R Clips (packed in poly bag)</p> <p>MP83402</p> <p>MP83403</p> <p>MP83404</p> <p>MP83405</p> <p>MP83406</p> <p>MP83407</p>