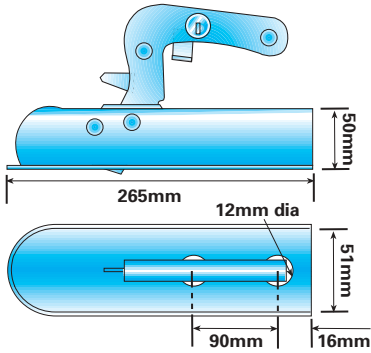


TRAILER COMPONENTS

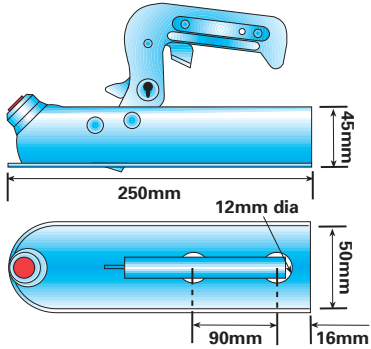
Code No.

Trailer Couplings (Unbraked).

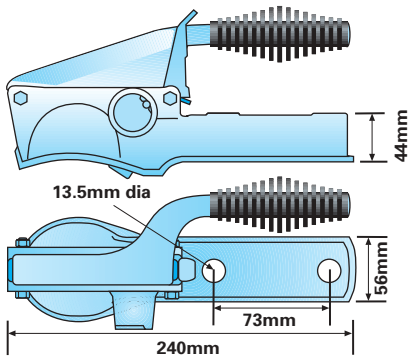


MP80
 Pressed steel 50mm coupling.
 Suitable for trailers up to 750kg
 E.U. approved
 Security lock MP478B (not included)
 is suitable

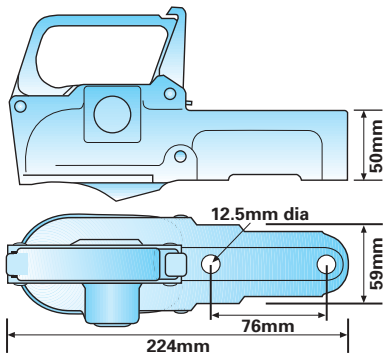
MP80L
 Pressed steel 50mm coupling with
 integral lock and 2 keys.
 Suitable for trailers up to 750kg
 EU approved



MP81
 Pressed steel 50mm coupling
 suitable for trailers up to 750kg
 with unique visible indicator
 to show trailer is correctly hitched
 E.U. approved
 Security lock MP478B (not included)

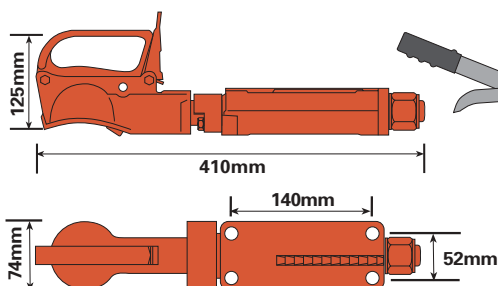


MP201CA
 Cast heavy duty 50mm coupling
 with universal base fixing
 Suitable for unbraked trailers
 up to 1,400 kg (Max 750 kg
 for highway use), with
 provision to fit a high security
 locking device MP201L (not
 included)



MP198
 Cast heavy duty 50mm coupling
 with universal base fixing
 Suitable for unbraked trailers
 up to 1,400 kg (Max 750 kg
 for highway use)

Spring Damped Coupling.



MP4025
 1500kg spring overrun
 50mm cast coupling
 suitable for trailers
 with standard brakes

←
 Hand brake operating
 lever for MP4025

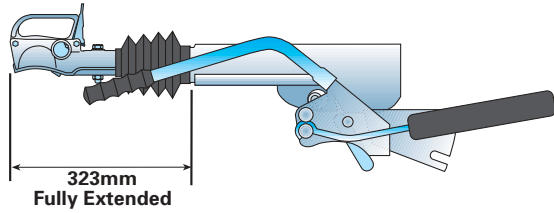
MP4025

MP407

TRAILER COMPONENTS

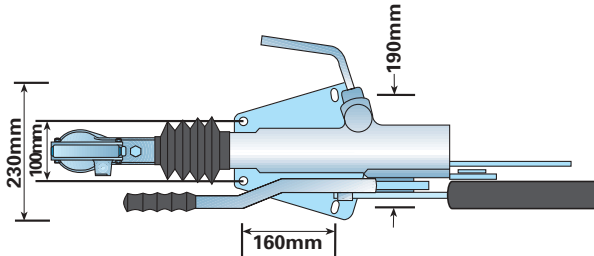
Code No.

Auto Reverse Couplings.



Hydraulically damped coupling 850-1700kg suitable for use with autoreversing brakes max. nose weight 100kg with provision to fit a high security locking device MP201L

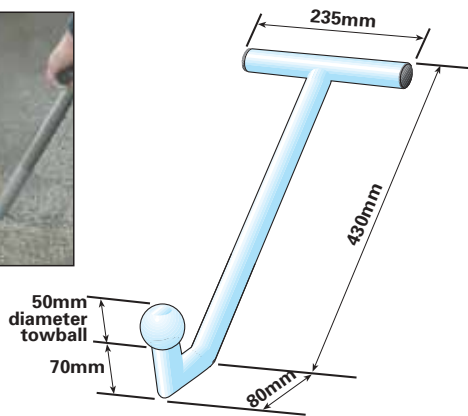
MP444



Hydraulically damped coupling 1650-2700kg suitable for use with autoreversing brakes max. nose weight 100kg with provision to fit a high security locking device MP201L

MP445

Trailer Drawbar Fittings and Accessories.



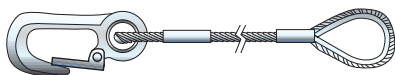
Trailer and caravan moving handle. Suits all 50mm towball couplings. Display packed

Display Packed
MP185



Universal trailer spare wheel carrier. Suitable for fitting to all drawbars from 50mm to 60mm square or diameter. Display packed.

Display Packed
MP195



Secondary coupling & safety cable for all unbraked trailers

400mm long
500mm long

Display Packed

Bulk Packed

MP4982
MP4987

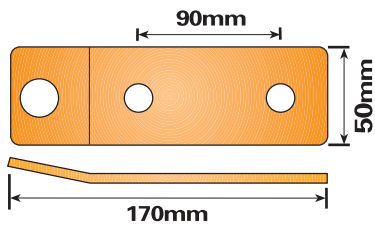
MP4982B
MP4987B

TRAILER COMPONENTS

Trailer Drawbar Fittings and Accessories.

Display
packed
code no

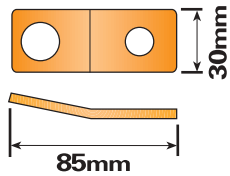
Bulk
packed
code no



Vehicle fixing plate for
MP4982

-

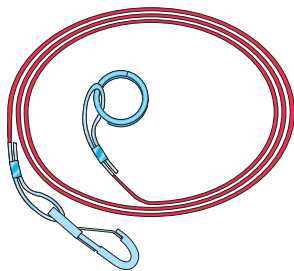
MP
4984B



Vehicle fixing plate for
MP4982/MP498

-

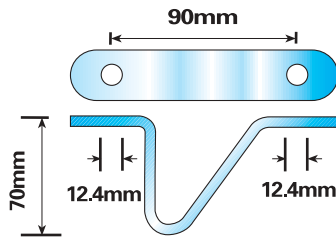
MP
4985B



Breakaway Cable
for braked trailers

MP
498

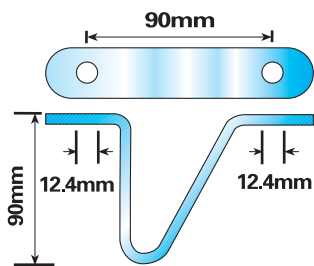
MP
498B



Trailer coupling
skid 70mm

MP
1976

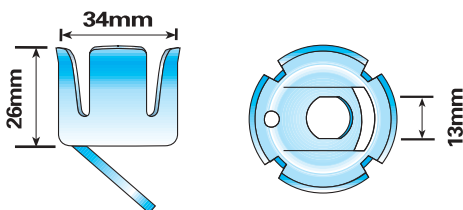
MP
1976B



Trailer/caravan coupling
skid 90mm

MP
1979

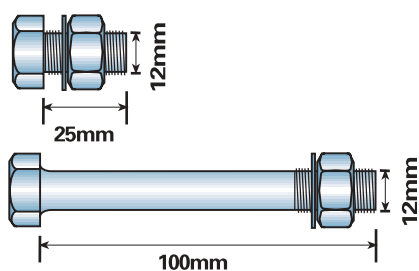
MP
1979B



Plug keeper for 7 pin trailer plug
Mounts on coupling

MP
196

MP
196B



Coupling
High tensile nuts bolts and
shakeproof washers

Display
packed
per pair

Bulk
packed
per 50

M12 x 25mm

MP
800

MP
800B

M12 x 100mm

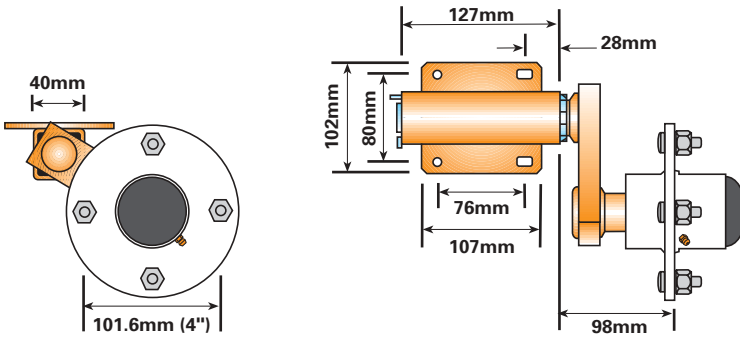
MP
8001

MP
8001B

TRAILER COMPONENTS

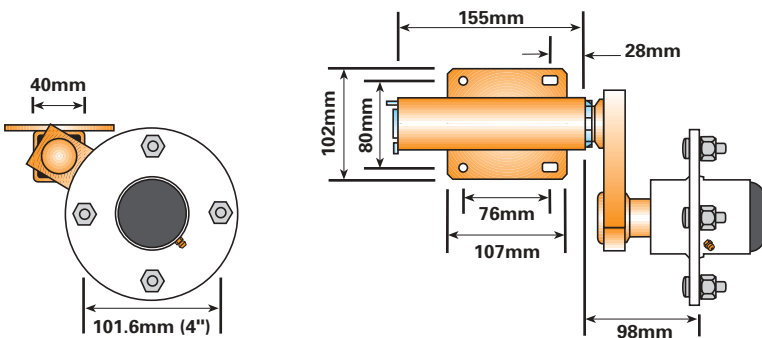
Code No.
Per Pair

Trailer Suspension Units Unbraked Complete With Hubs.



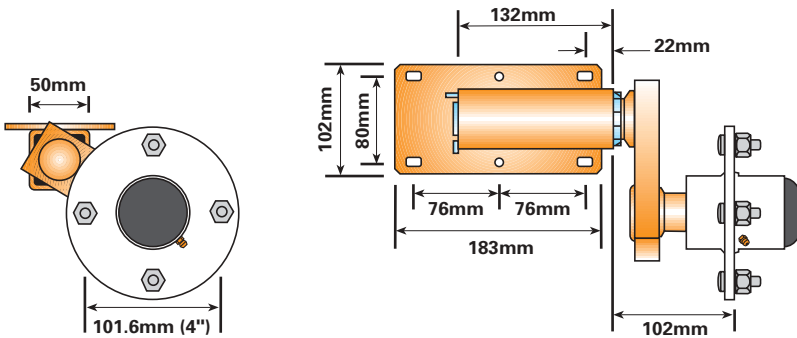
MP204

200kg (4cwt) capacity per pair of zinc plated units with long life polyurethane suspension and fitted with taper bearing hubs suitable for trailer 8" & 10" wheels also standard mini wheels 4 studs on 4" P.C.D.



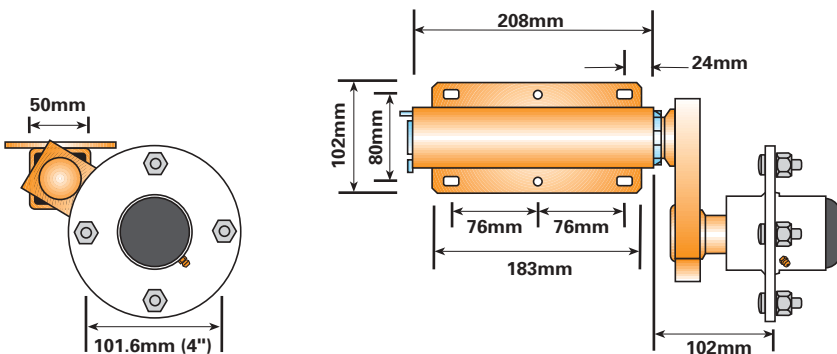
MP206

250kg (5cwt) capacity per pair of zinc plated units with long life polyurethane suspension and fitted with taper bearing hubs suitable for trailer 8" & 10" wheels also standard mini wheels 4 studs on 4" P.C.D.



MP208

350kg (7cwt) capacity per pair of zinc plated units with long life polyurethane suspension and fitted with taper bearing hubs suitable for trailer 8" & 10" wheels also standard mini wheels 4 studs on 4" P.C.D.



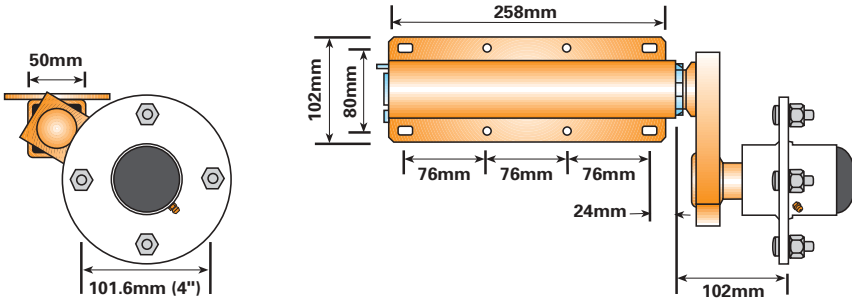
MP211

500kg (10cwt) capacity per pair of zinc plated units with long life polyurethane suspension and fitted with taper bearing hubs suitable for trailer 8" & 10" wheels also standard mini wheels 4 studs on 4" P.C.D.

TRAILER COMPONENTS

Code No.
Per Pair

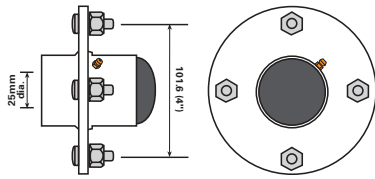
Trailer Suspension Units Unbraked Complete With Hubs.



MP214

650kg (13cwt) capacity per pair of zinc plated units with long life polyurethane suspension and fitted with Taper bearing hubs suitable for 10" trailer wheels also standard mini wheels 4 studs on 4" P.C.D.

Trailer Wheel Hubs.

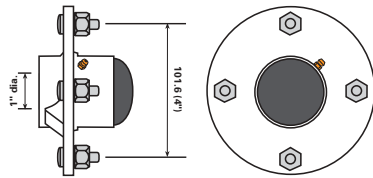


Ball bearing hub
4 studs on 4" P.C.D.
Complete with bearings
Replacement plastic hub cap

Code No.
Each

MP419

MP419C



Taper roller bearing hub as fitted to
the following suspension units
MP / 204 / 206 / 208 / 211 / 214
4 studs on 4" P.C.D.
Complete with bearings

MP418

Replacement plastic hub cap

MP418C

Replacement taper roller bearing set
Bearing No's 44643 & 44610

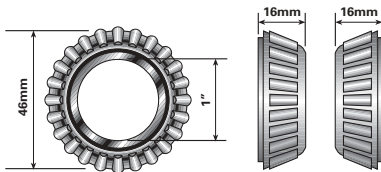
MP4181

Replacement 3/8 UNF stud

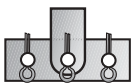
MP4185B

Replacement 3/8 UNF nut

MP4186B

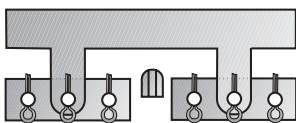


Brake Linkage Kits.



Single axle 2 wheel kit
consisting of 3 hole
compensator bar, fork,
3 rivets c/w split pins

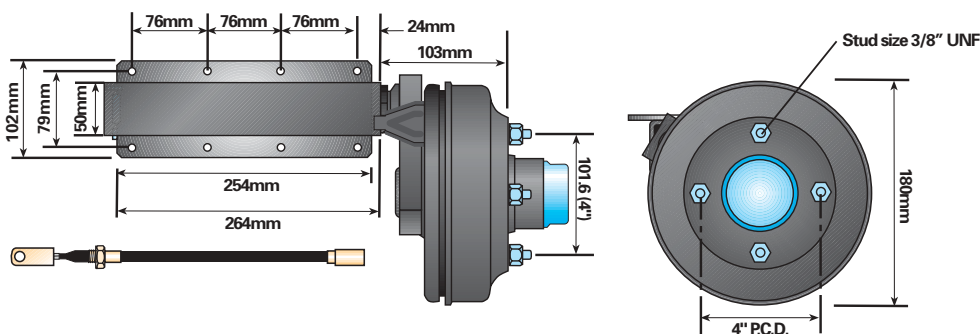
MP475



Twin axle 4 wheel kit
consisting of 4 way
compensator, stop nut
and 6 rivets with split pins

MP487

Autoreverse Braked Suspension Units Complete With Cables.



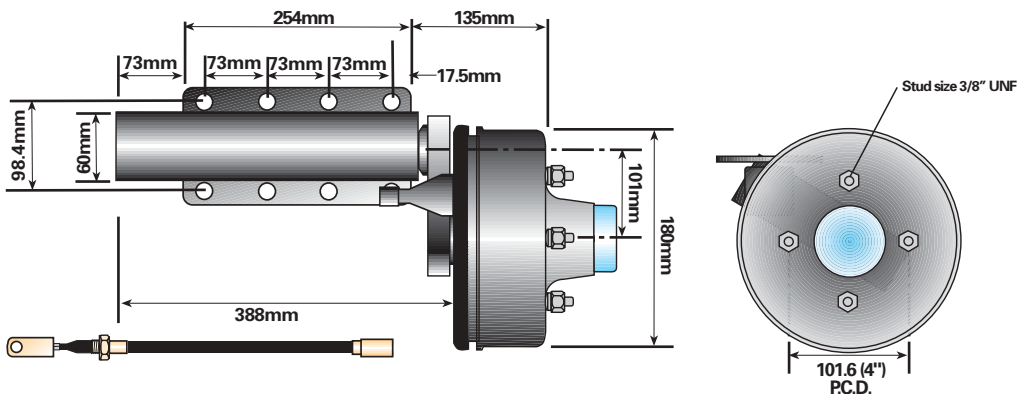
MP209

500kg (10cwt) capacity per pair of zinc plated units with long life polyurethane suspension complete with 160 x 35 auto reverse brakes, cable and hub assembly. 4 studs on 4" P.C.D.

TRAILER COMPONENTS

Autoreverse Braked Suspension Units Complete With Cables.

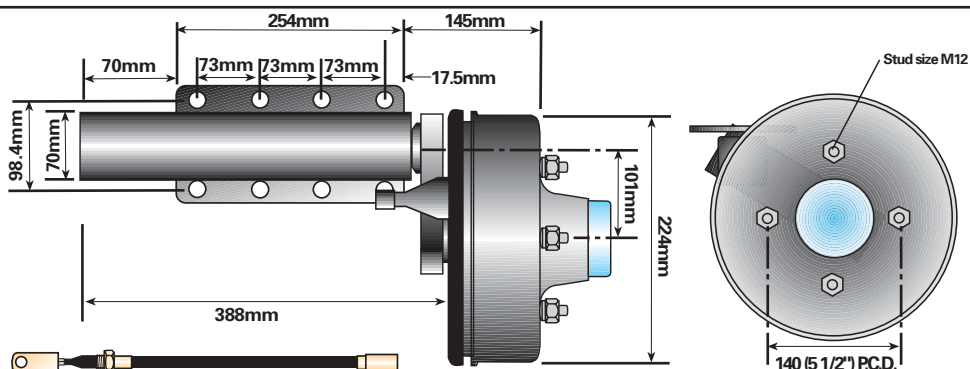
Code No.
Per Pair



MP465

MP465U
Unbraked version

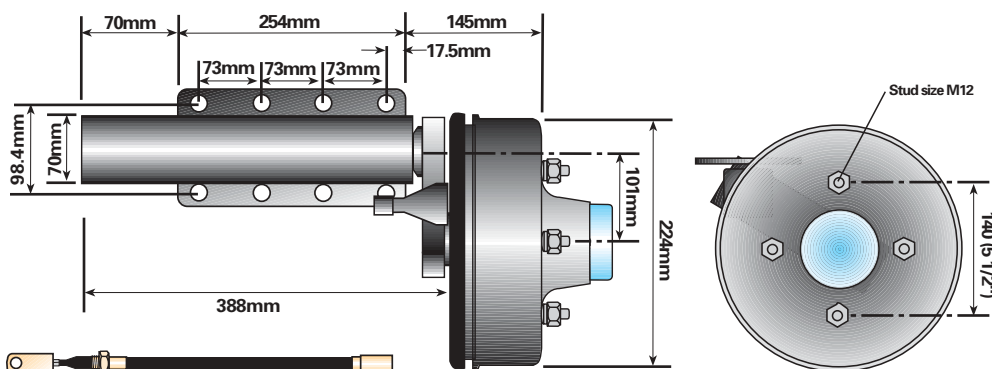
750 kg (15cwt) capacity per pair of units with rubber suspension complete with 160 x 35 autoreverse brakes, cable and hub assembly. 4 studs on 4" P.C.D.



MP466

MP466U
Unbraked version not
for highway use

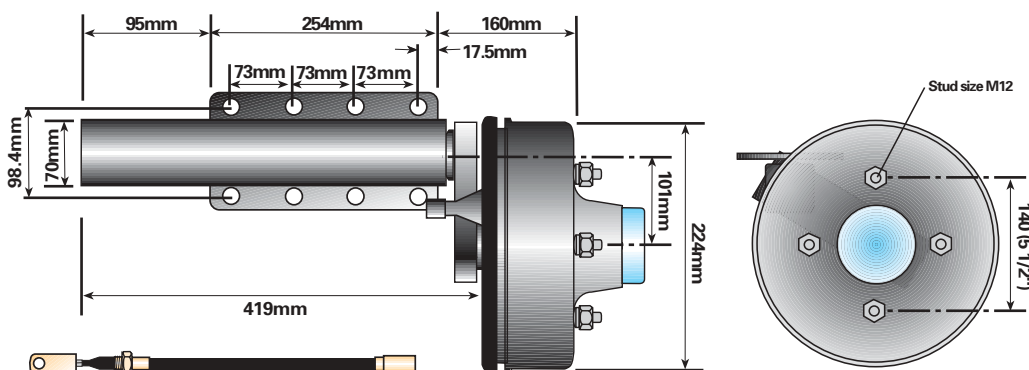
1000 kg (20cwt) capacity per pair of units with rubber suspension complete with 203 x 40 autoreverse brakes, cable and hub assembly. 4 studs on 5 1/2" P.C.D.



MP467

MP467U
Unbraked version not
for highway use

1300 kg (25cwt) capacity per pair of units with rubber suspension complete with 203 x 40 autoreverse brakes and hub assembly. 4 studs on 5 1/2" P.C.D.



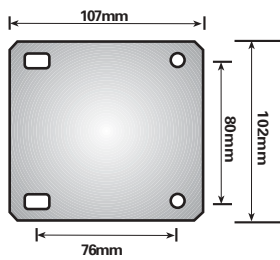
MP468

MP468U
Unbraked version not
for highway use

1500 kg (30cwt) capacity per pair of units with rubber suspension complete with 200 x 50 autoreverse brakes and hub assembly. 4 studs on 5 1/2" P.C.D.

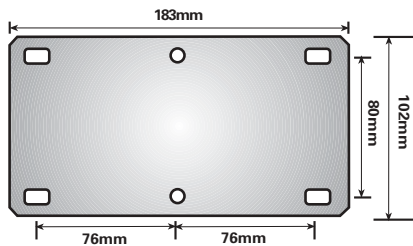
TRAILER COMPONENTS

Suspension Unit Mounting Plates.



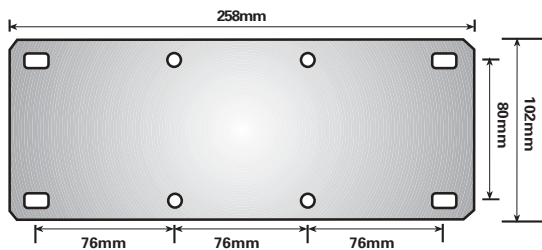
4 hole mounting plate suitable for 150kg (3 cwt) to 250kg (5 cwt) units

MP446



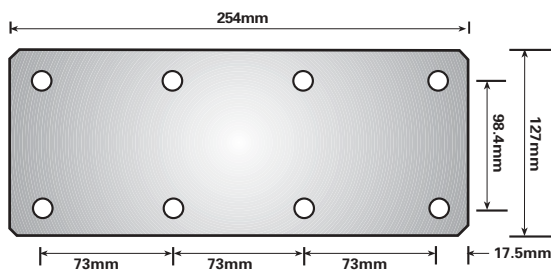
6 hole mounting plate suitable for 350kg (7 cwt) to 500kg (10 cwt) units

MP447



8 hole mounting plate suitable for 650kg (10 cwt) units

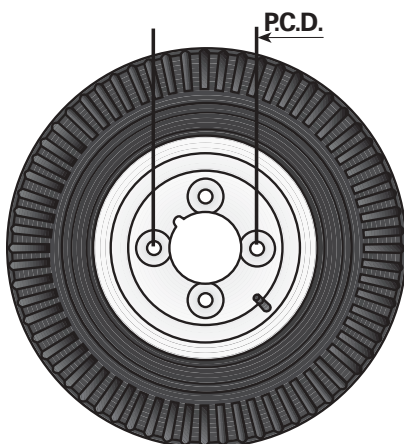
MP448



8 hole mounting plate suitable for 750kg (15 cwt) to 1500kg (30cwt) units

MP469

Wheels and Rims.



400x8" trailer wheel with 4 ply high speed tyre. 4 studs on 4" P.C.D. and load capacity 265kg. Suitable for MP204/206 208 211 214 suspension units and trailers MP954 and MP956.

MP215

400x8" trailer wheel with 4 ply high speed tyre. 4 studs on 115mm P.C.D. and load capacity 265kg. Suitable for Daxara trailers 107 and 127.

MP425

350x8" trailer wheel with 4 ply high speed tyre. 4 studs on 115mm P.C.D. and load capacity 170kg. Suitable for Erde 102 trailer

MP42535

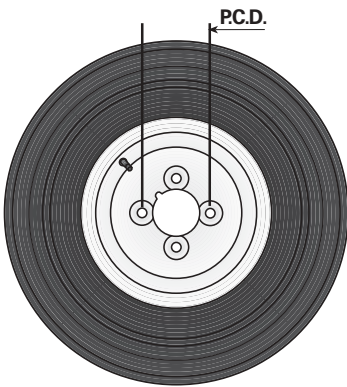
Replacement inner tube for MP215/425

MP2150

TRAILER COMPONENTS

Wheels and Rims.

Code No.



520x10" trailer wheel with 4 ply high speed tyre. 4 studs on 4" P.C.D. and load capacity 308kg. Suitable for MP209 suspension units.

145x10" trailer wheel with 4 ply high speed tyre. 4 studs on 4" P.C.D. and load capacity 315kg at 100km/h. Suitable for trailer MP9562.

500x10" trailer wheel with 4 ply high speed tyre. 4 studs on 115mm P.C.D. and load capacity 355kg. Suitable for Daxara trailer 147.

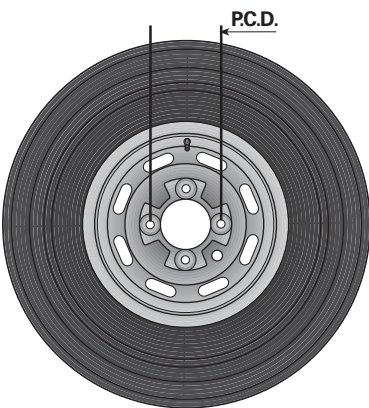
500x10" trailer wheel with 6 ply high speed tyre. 4 studs on 4" P.C.D. and load capacity 400kg. Suitable for MP465 suspension units.

MP216

MP21645

MP42510

MP42210

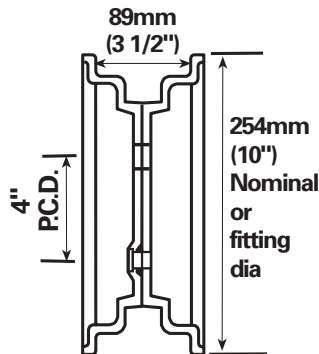
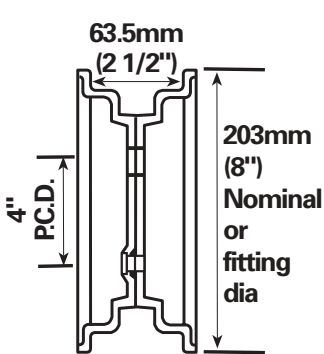


145x13" trailer wheel with 4 ply high speed tyre. 4 studs on 130mm P.C.D. and load capacity 410kg. Suitable for Daxara trailer 197 & 198.

165x13" trailer wheel with 8 ply high speed tyre. 4 studs on 5 1/2" P.C.D. and load capacity 700kg at 100km/h. Suitable for MP466/467/468 suspension units.

MP42513

MP42213

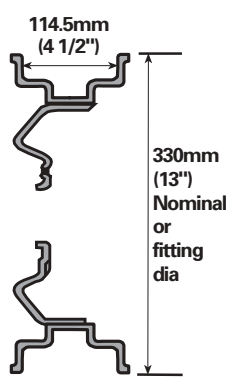
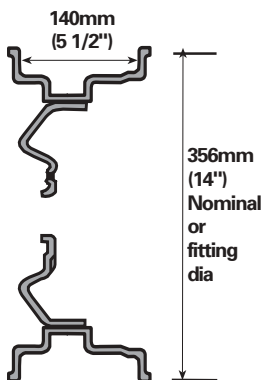


**8" trailer wheel rim (2.5 x 8")
4 studs on 4" P.C.D.
and load capacity 265kg**

**10" trailer wheel rim (3.5 x 10")
4 studs on 4" P.C.D.
and load capacity 400kg**

MP428

MP219



**13" trailer/caravan wheel rim
(4 1/2" x 13")
4 studs on 5 1/2" P.C.D.
and load capacity 700kg**

**13" trailer/caravan wheel rim
(4 1/2" x 13")
4 studs on 100mm P.C.D.
and load capacity 640kg**

**14" trailer/caravan wheel rim
(550J x 14")
5 studs on 112mm P.C.D.
and load capacity 900kg at
140km/h**

MP217

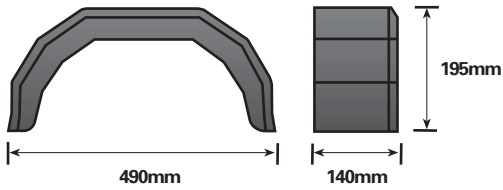
MP218

MP42214

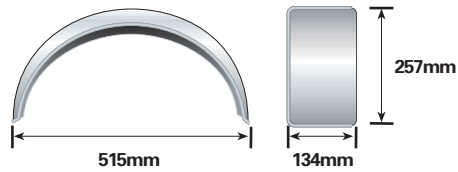
TRAILER COMPONENTS

Mudguards.

Code No.
Each



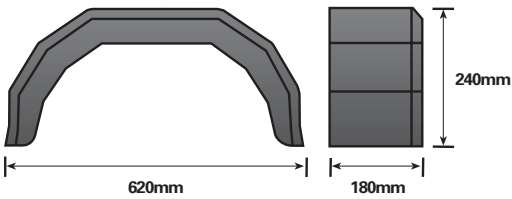
Trailer mudguard injection moulded in durable black high density polyethylene Suitable for 8" wheels (490 x 140mm)



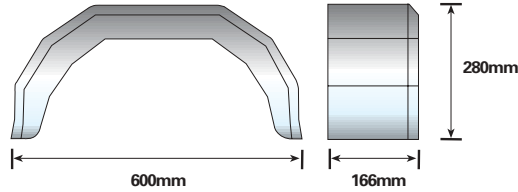
Fully galvanised 8" metal trailer mudguard with rolled edges for safety, strength and rigidity. Suitable for 8" wheels

MP265
(plastic)

MP2655
(metal)



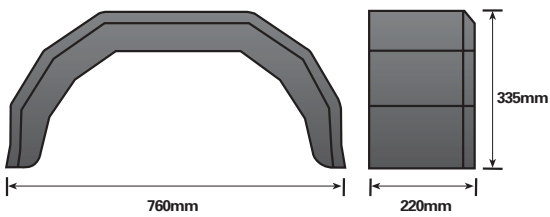
Trailer mudguard injection moulded in durable black high density polyethylene Suitable for 10" wheels (620 x 180mm)



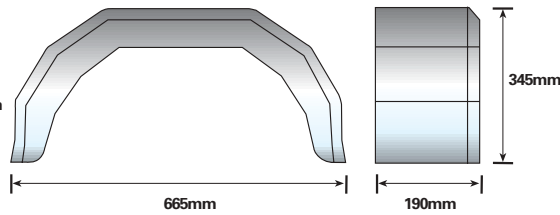
Fully galvanised 10" metal trailer mudguard with rolled edges for safety, strength and rigidity. Suitable for 10" wheels

MP266
(plastic)

MP2665
(metal)



Trailer mudguard injection moulded in durable black high density polyethylene Suitable for 13" wheels (760 x 220mm)

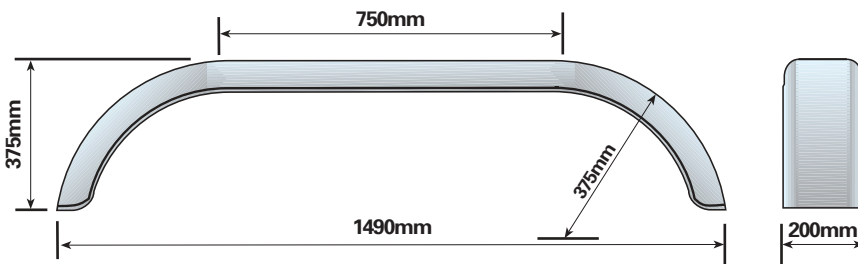


Fully galvanised 13" metal trailer mudguard with rolled edges for safety, strength and rigidity. Suitable for 13" wheels

MP267
(plastic)

MP2675
(metal)

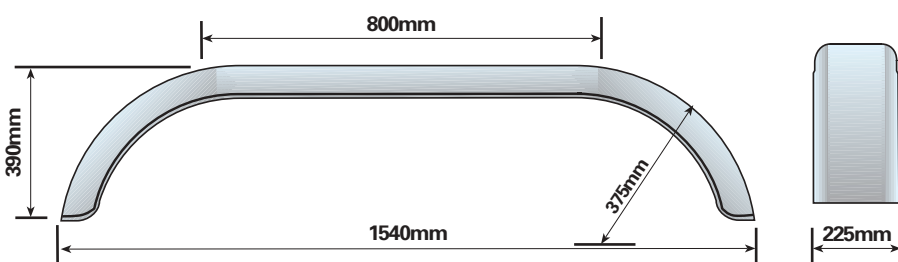
Fully galvanised trailer tandem mudguards supplied in pairs



Code No.
Per pair

7" x 58"
MP4796

Fully galvanised trailer tandem mudguards supplied in pairs



9" x 61"
MP4797

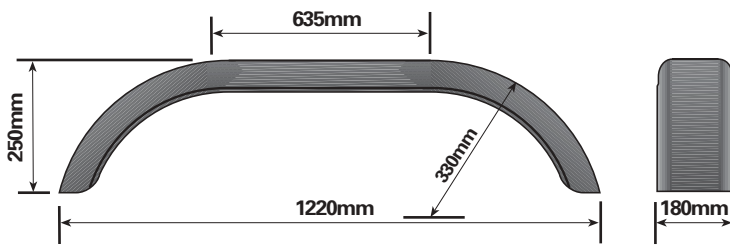
Dimensions given as guidance only and may vary

TRAILER COMPONENTS

Code No.
Per Pair

Tandem Mudguards.

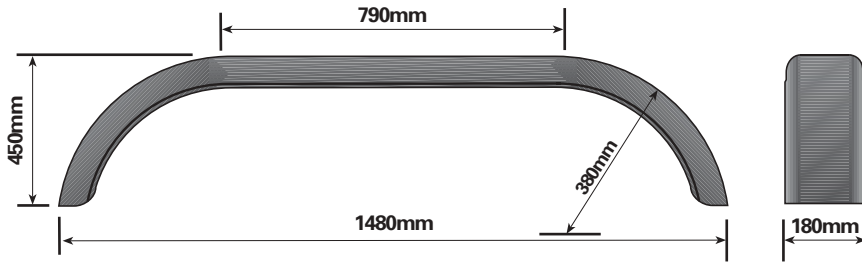
Trailer tandem mudguards in ABS



7" x 48" Tandem
mudguard ABS

MP4791

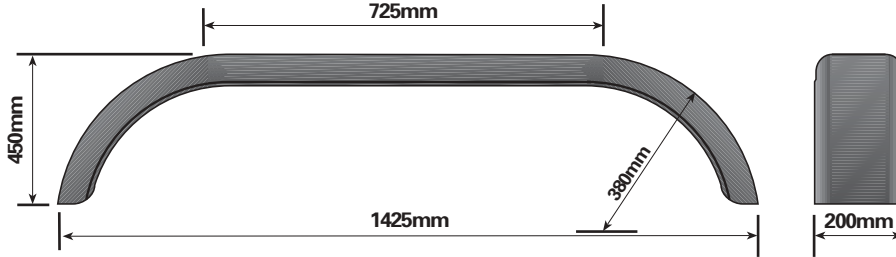
Trailer tandem mudguards in ABS



7" x 58" Tandem
mudguard ABS

MP4792

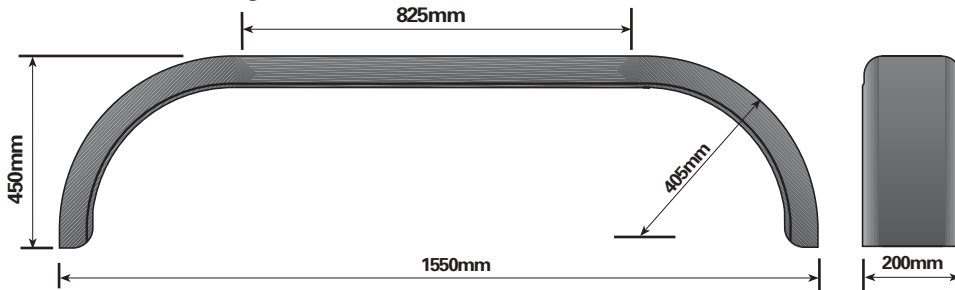
Trailer tandem mudguards in ABS



8" x 56" Tandem
mudguard ABS

MP4793

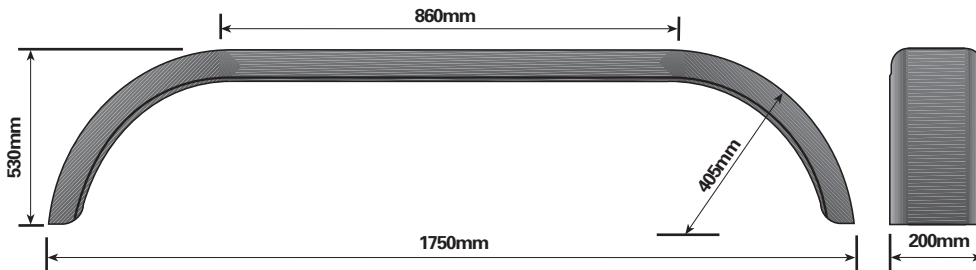
Trailer tandem mudguards in ABS



8" x 61" Tandem
mudguard ABS

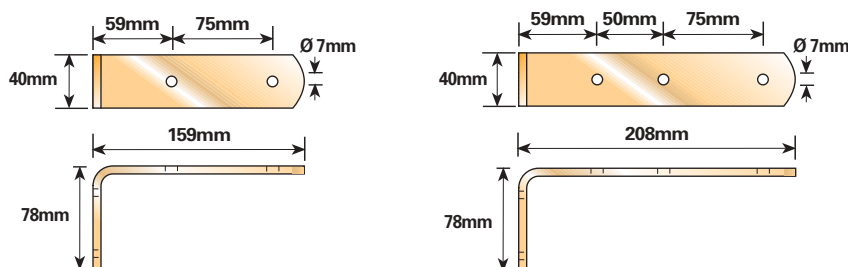
MP4794

Trailer tandem mudguards in ABS



8" x 69" Tandem
mudguard ABS

MP4795



Single heavy duty
tandem mudguard
bracket

159mm long
MP4801

208mm long
MP4805

Dimensions given as guidance only and may vary